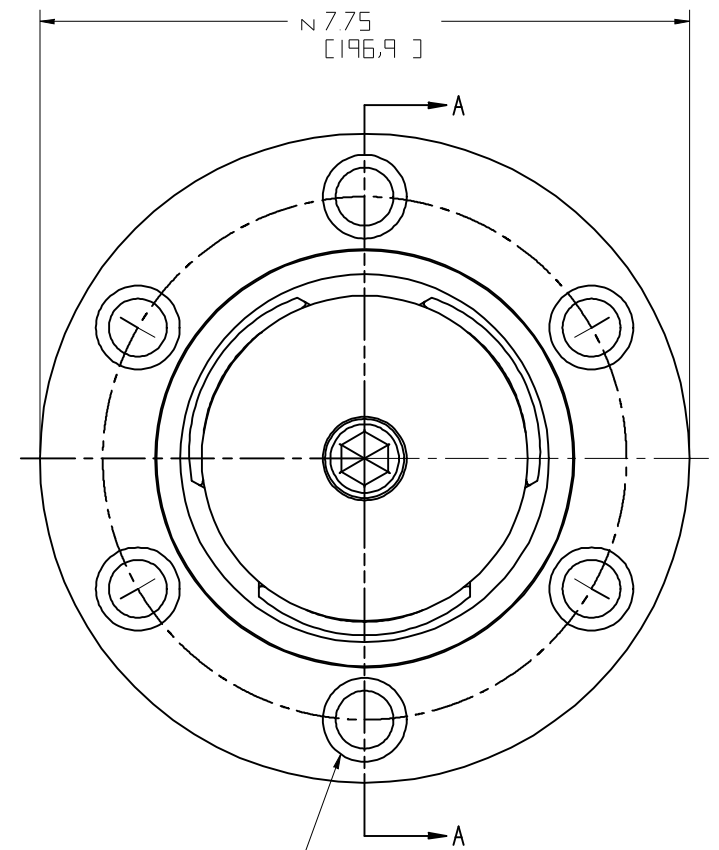
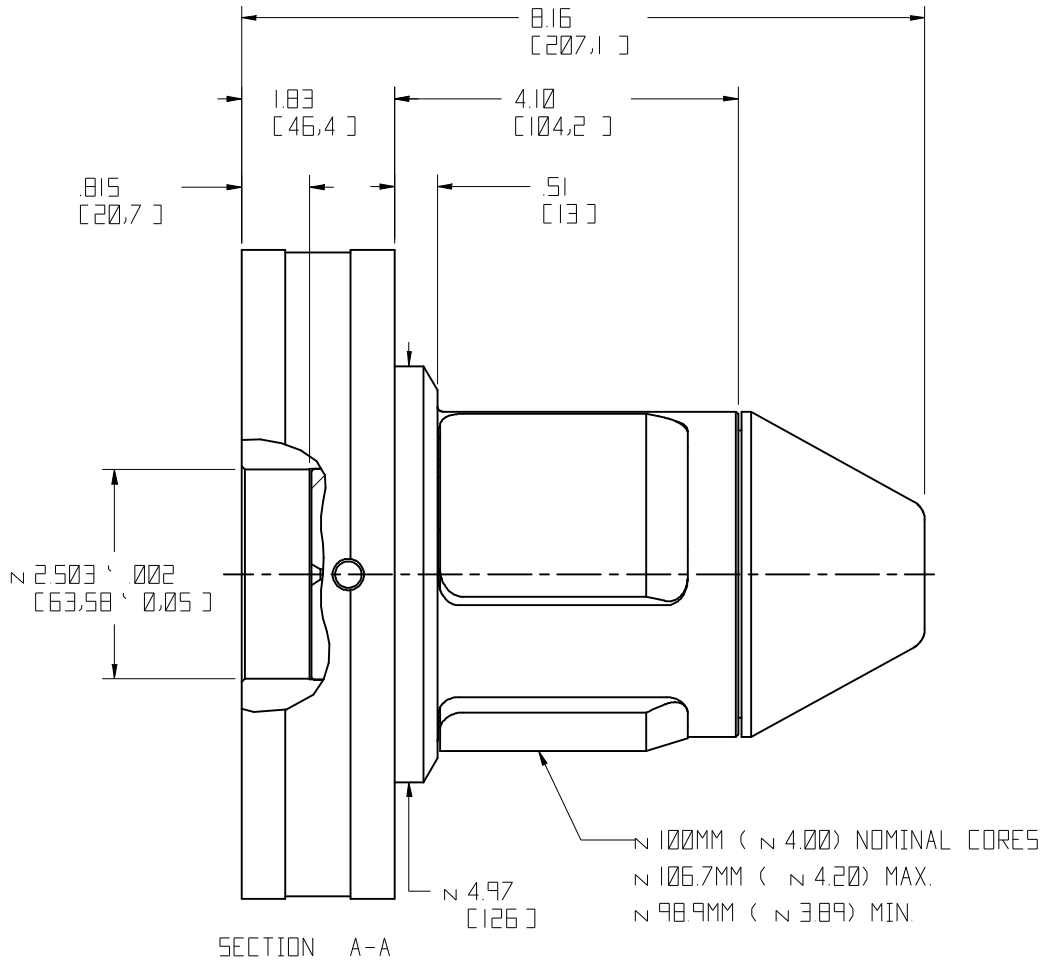


REVISIONS			
REV	DESCRIPTION	DATE	APPROVED
C	ECCO 15759	2/7/02	JZY



$\sqrt{N} \quad 1.00 \quad \begin{matrix} +0.2 \\ -0.1 \end{matrix} \quad \times \quad .67 \quad \begin{matrix} +0.2 \\ -0.1 \end{matrix}$
 $\left[\begin{matrix} 25.4 & +0.5 \\ & -0.2 \end{matrix} \right] \quad \left[\begin{matrix} 17 & +0 \\ & -0 \end{matrix} \right]$
 6 PLS. EQ. SP.
 ON A ≈ 6.250 B.C.
 $\left[\begin{matrix} 158.75 \end{matrix} \right]$