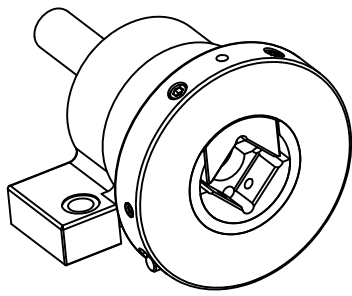
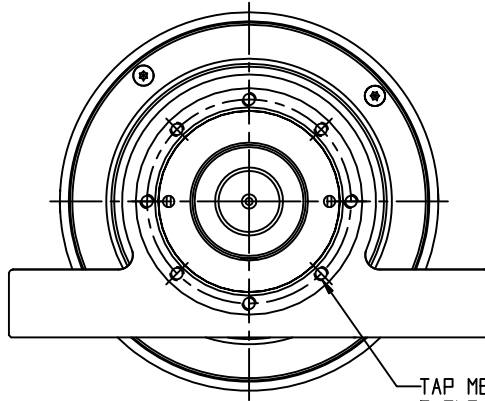


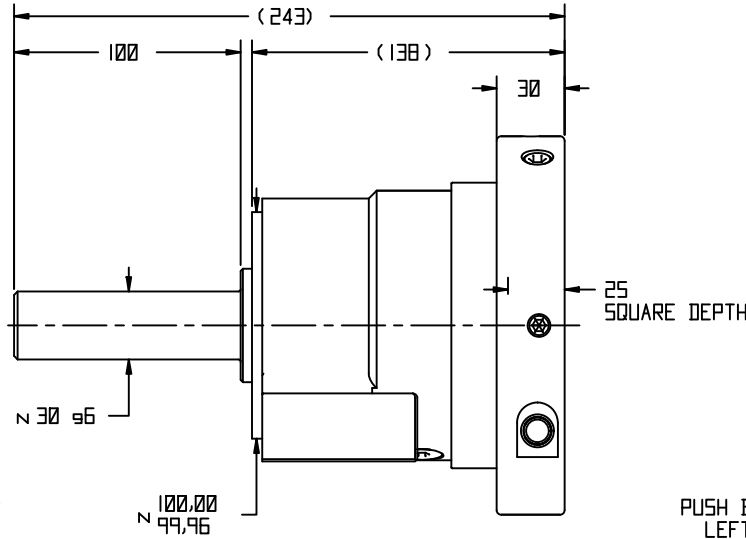
REVISIONS			
REV	DESCRIPTION	DATE	APPROVED
A	ERN 22556	5/9/12	MRV



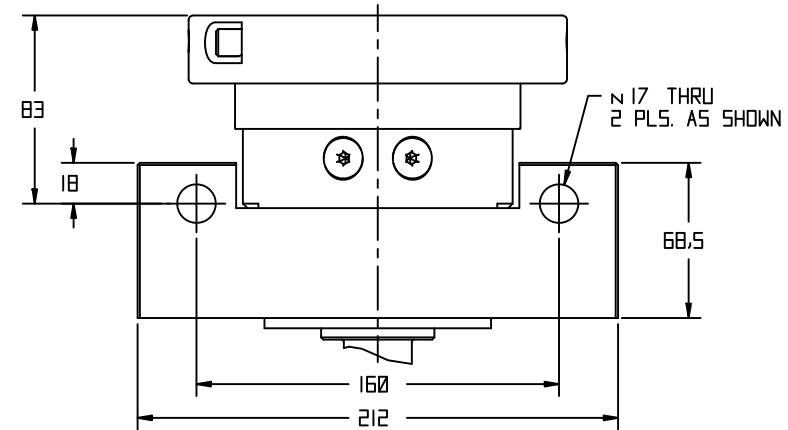
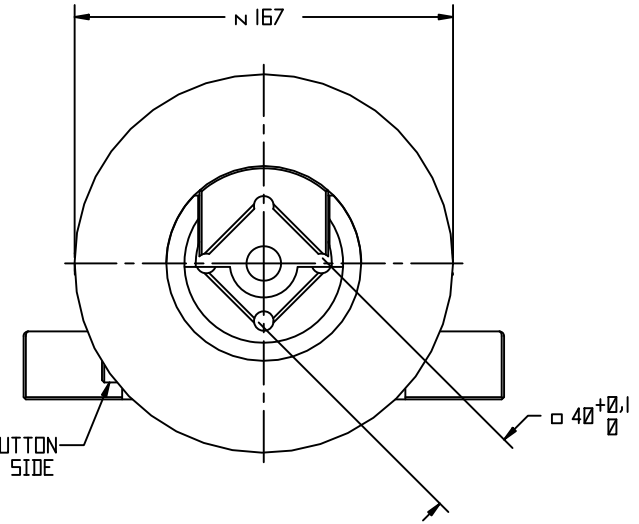
SCALE 0.400



TAP M6-1 x 12.7
8 PLS. EQ. SP.
ON A N 90 B.C.



NOTES:
1. THIS DRAWING IS THE PROPERTY OF THE DOUBLE E COMPANY
IT IS PROPRIETARY AND CONFIDENTIAL, ALL RIGHTS RESERVED.
2. MAXIMUM LOAD PER SAFETY CHUCK = 1619 LBS (7200 N)



23	1	999-522-0196	EXTERNAL RETAINING RING
22	1	999-465-0098	6MM X 12MM DOWEL PIN
21	1	999-465-0033	DOWEL PIN (8MM X 20MM)
20	2	999-426-1200	FHSCS M8 X 10 MM
19	4	999-426-1054	M4 X 12MM LG. F.H.S.C.S.
18	4	999-418-0015	M8-1.25 X 10MM LG LHSCS
17	2	999-415-1300	CM10-1.53 X 10 LG. S.S.S.
16	2	999-402-1207	M8-1.25 X 40MM LG. SHCS
15	1	899-120-0003	BALL BEARING; 6210-2RS
14	1	899-120-0001	BALL BEARING; SKF 6010-2RS1
13	1	72701-0002	LH PUSH BUTTON
12	1	72601-0018	UPPER JAW - V40
11	1	72601-0017	INTERCHANGABLE JAW - IV40
10	1	72501-0001	PLASTIC SLEEVE
9	1	72201-0004	CAM
8	1	63101-0002	8MM STAINLESS STEEL BALL
7	1	62302-0006	COMPRESSION SPRING
6	1	62302-0005	COMPRESSION SPRING
5	1	62302-0003	COMPRESSION SPRING
4	1	700265	CLOSED COVER
3	1	700053	LH FACEPLATE
2	1	153668	DRIVEN SPINDLE
1	1	151157	PEDESTAL MOUNT BODY
ITEM	QTY.	PART No.	DESCRIPTION

QUOTE: -		DOUBLE E COMPANY, INC.	
		309 HANLEY ST. SUITE 301 WEST BRIDGEWATER, MA 02379 USA TEL (508) 588-8899 FAX (508) 588-2915 www.doublee.com	
SUPERSEDED BY	TOLERANCES AND FEATURES EXCEPT AS NOTED	TITLE	
SUPERSEDES	X = .1 ALL FILLETS 1.5 R(MAX) X = .3 ALL CHAMFERS 1.5 X 45° XX = .13 SURFACE FINISH: 125 RMS ANGLES = 1° ANGULAR ALIGNMENTS = ± 2° CENTERLINE FEATURES: ON CENTER .05	SPII/PI/IV40 REPLACEABLE JAW INSERTS LH PUSH BUTTON	
THIS DRAWING WAS PRODUCED ON A CAD SYSTEM. DO NOT ALTER MANUALLY. DO NOT SCALE FROM THIS DRAWING.			
DRAWN BY	SMM	DATE	5/9/12
APPROVED BY	MRV	DATE	5/9/12
NEXT ASSY.	TOP ASSY.	SCALE	0.600
		DRAWING NO.	999-806-A949
		REV.	A.1