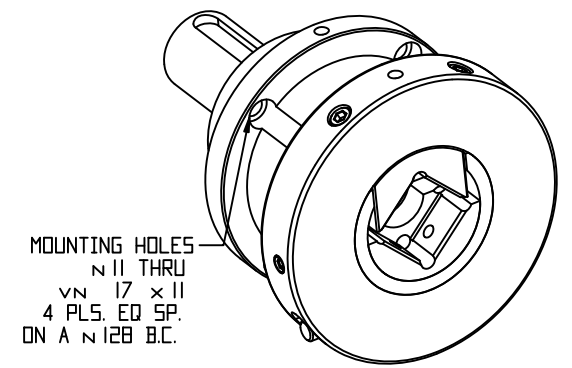
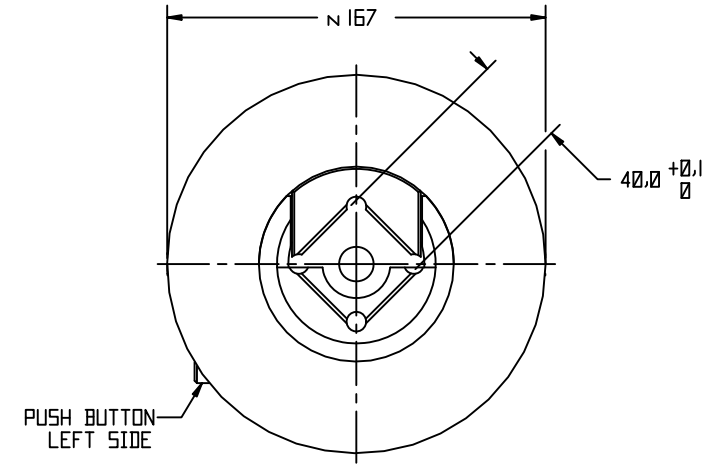


NOTES:  
 1. THIS DRAWING IS THE PROPERTY OF THE DOUBLE E COMPANY  
 IT IS PROPRIETARY AND CONFIDENTIAL, ALL RIGHTS RESERVED.  
 2. MAXIMUM LOAD PER SAFETY CHUCK = 1619 LBS (7200 N)



SCALE 0.500

23	1	999-522-0196	EXTERNAL RETAINING RING
22	1	999-465-0098	6MM x 12MM DOWEL PIN
21	1	999-465-0033	DOWEL PIN (8MM X 20MM)
20	2	999-426-1200	FHSCS MB X 10 MM
19	4	999-426-1054	M4 X 12MM LG. F.H.S.C.S.
18	4	999-418-0015	MB-1.25 X 10MM LG LHSCS
17	2	999-415-1300	CM10-1.5J x 10 LG. S.S.S.
16	2	999-402-1207	MB-1.25 x 40MM LG. SHCS
15	1	899-120-0003	BALL BEARING; 6210-2RS
14	1	899-120-0001	BALL BEARING; SKF 6010-2RS1
13	1	72701-0002	LH PUSH BUTTON
12	1	72601-0018	UPPER JAW - V40
11	1	72601-0017	INTERCHANGABLE JAW - IV40
10	1	72501-0001	PLASTIC SLEEVE
9	1	72301-0045	FLANGE MOUNT BODY
8	1	72201-0004	CAM
7	1	70302-0031	BORED COVER
6	1	63101-0002	8MM STAINLESS STEEL BALL
5	1	62302-0006	COMPRESSION SPRING
4	1	62302-0005	COMPRESSION SPRING
3	1	62302-0003	COMPRESSION SPRING
2	1	700053	LH FACEPLATE
1	1	152334	DRIVEN SPINDLE
ITEM	QTY.	PART No.	DESCRIPTION

QUOTE: -		DOUBLE E COMPANY, INC.	
		319 HANLEY ST. SUITE 301 WEST BRIDGEWATER, MA 02379 USA TEL: (508) 588-8899 FAX: (508) 588-2915 www.doublee.com	
SUPERSEDED BY	TOLERANCES AND FEATURES EXCEPT AS NOTED	TITLE	
SUPERSEDES	X = .1 ALL FILLETS 1.5 R(MAX) X = .3 ALL CHAMFERS 1.5 X 45° XX = .13 SURFACE FINISH: 125 RMS ANGLES = 1°	S11/FI/IV40 REPLACEABLE JAW INSERTS LH PUSH BUTTON	
	ANGULAR ALIGNMENTS = .2° CENTERLINE FEATURES: ON CENTER .05	THIS DRAWING WAS PRODUCED ON A CAD SYSTEM. DO NOT ALTER MANUALLY. DO NOT SCALE FROM THIS DRAWING.	
	APPROVED BY	DATE	SCALE
	MRV	11/8/11	0.500
	DATE	DATE	SHEET
	11/8/11	1	OF 1
NEXT ASSY.	999-806-AB10 TOP ASSY.	APPROVED BY	REV.
	MRV	11/8/11	A.1
		DRAWING NO.	
		999-806-AB10	