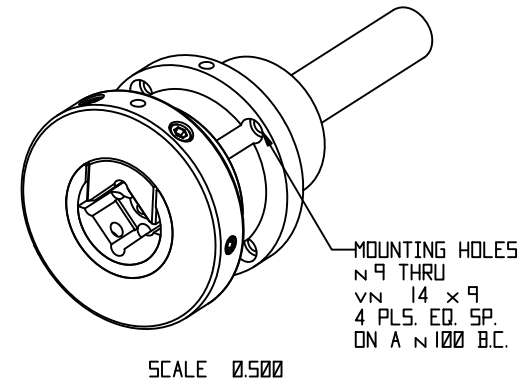
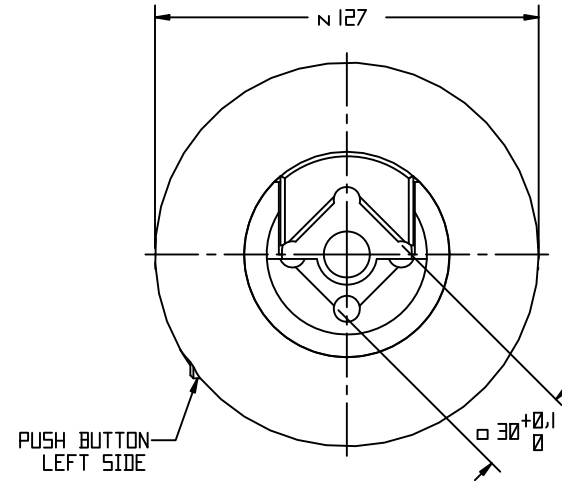
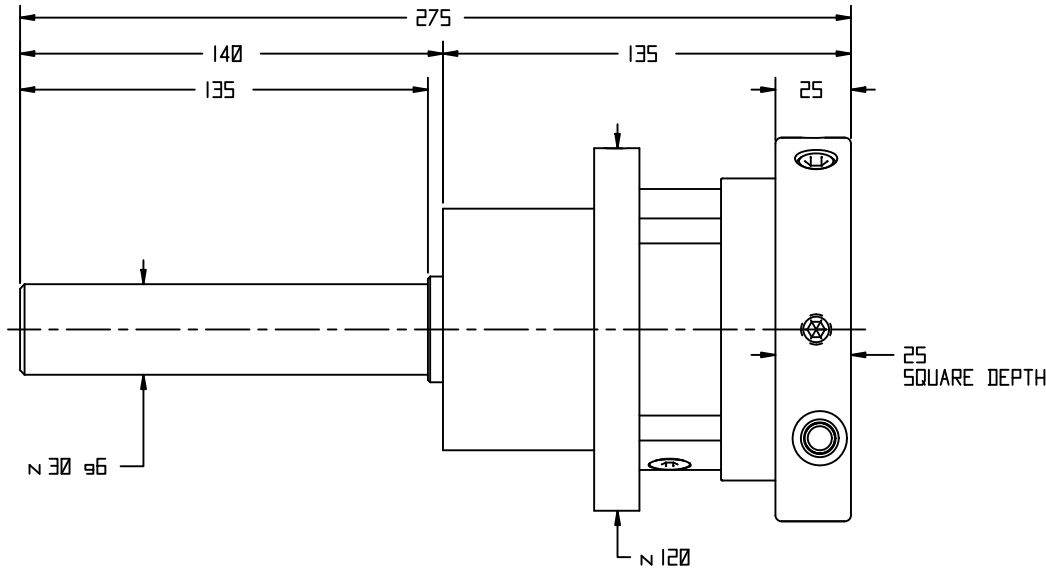


REVISIONS			
REV	DESCRIPTION	DATE	APPROVED
A	ERN 21589	8/16/11	MRV

NOTES:

1. THIS DRAWING IS THE PROPERTY OF THE DOUBLE E COMPANY. IT IS PROPRIETARY AND CONFIDENTIAL, ALL RIGHTS RESERVED.
2. MAXIMUM LOAD PER SAFETY CHUCK = 787 LBS (3500 N)
3. MAXIMUM TRANSMISSABLE TORQUE = 221 LB-FT (300 NM)



22	1	999-522-0137	EXTERNAL RETAINING RING
21	1	999-465-0099	5MM X 10MM DOWEL PIN
20	1	999-465-0033	DOWEL PIN (8MM X 20MM)
19	2	999-464-0085	8MM X 12MM LG. SLOTTED PIN
18	2	999-426-1299	FHSCS M8 X 14 MM
17	2	999-426-1151	M6-1.0 X 10MM LG. F.H.S.C.S.
16	4	999-426-1053	M4 X 10MM LG. F.H.S.C.S.
15	2	999-415-1300	CM10-1.5J X 10 LG. S.S.S.
14	2	999-402-1205	M8-1.25 X 30 LG. SHCS
13	1	899-742-0003	8MM STAINLESS STEEL BALL
12	1	899-550-0002	COMPRESSION SPRING
11	2	899-550-0001	COMPRESSION SPRING
10	2	899-120-0143	BALL BEARING; SKF 6007-2Z
9	1	700036	BORED COVER
8	1	700033	LH PUSH BUTTON
7	1	700032	CAM
6	1	700031	PLASTIC SLEEVE
5	1	700030	LH FACEPLATE
4	1	151772	DRIVE SPINDLE
3	1	151771	FLANGE MOUNT BODY
2	1	151056	INTERCHANGABLE INSERT - IV30
1	1	150959	UPPER INSERT - IV30
ITEM	QTY.	PART No.	DESCRIPTION

QUOTE: -		DOUBLE E COMPANY, INC.	
		319 HANLEY ST. SUITE 301 WEST BRIDGEWATER, MA 02379 USA TEL (508) 588-8899 FAX (508) 588-2915 www.doublee.com	
SUPERSEDED BY	TOLERANCES AND FEATURES EXCEPT AS NOTED	TITLE	
SUPERSEDES	X = .1 ALL FILLETS 1.5 R(MAX) Y = .3 ALL CHAMFERS 1.5 X 45° Z = .13 SURFACE FINISH: 125 RMS ANGLES = 1°	SL100/FI/IV30 REPLACEABLE JAW INSERTS RH PUSH BUTTON	
	ANGULAR ALIGNMENTS = .2° CENTERLINE FEATURES: ON CENTER .05	THIS DRAWING WAS PRODUCED ON A CAD SYSTEM. DO NOT ALTER MANUALLY. DO NOT SCALE FROM THIS DRAWING.	
	DRAWN BY SMM DATE 8/16/11 SCALE 0.500	DRAWING NO.	REV.
	APPROVED BY MRV DATE 8/16/11 SHEET 1 OF 1	999-806-A713	A.2
NEXT ASSY.	TOP ASSY.		