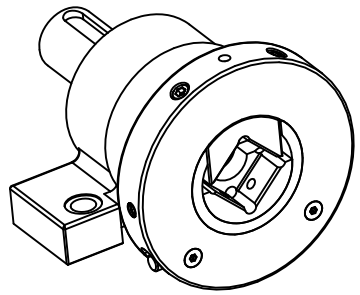
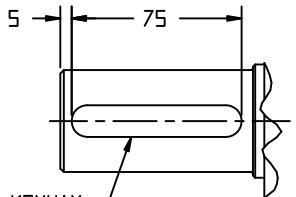
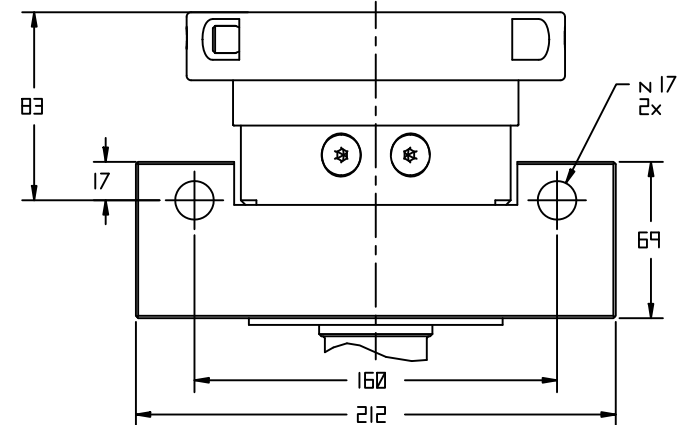
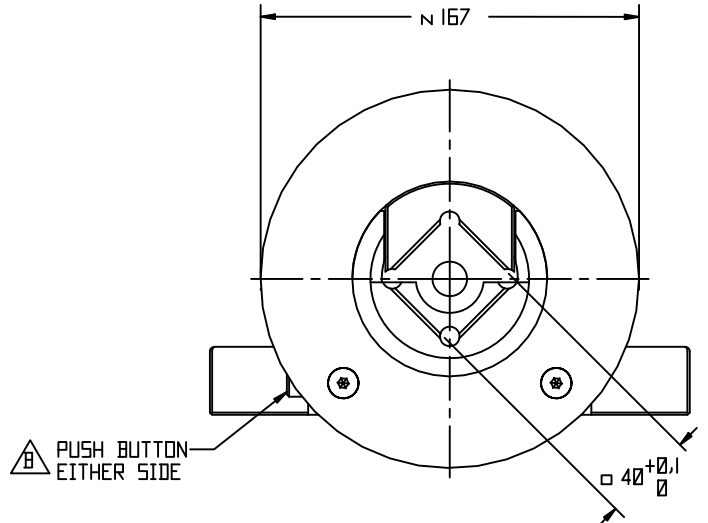
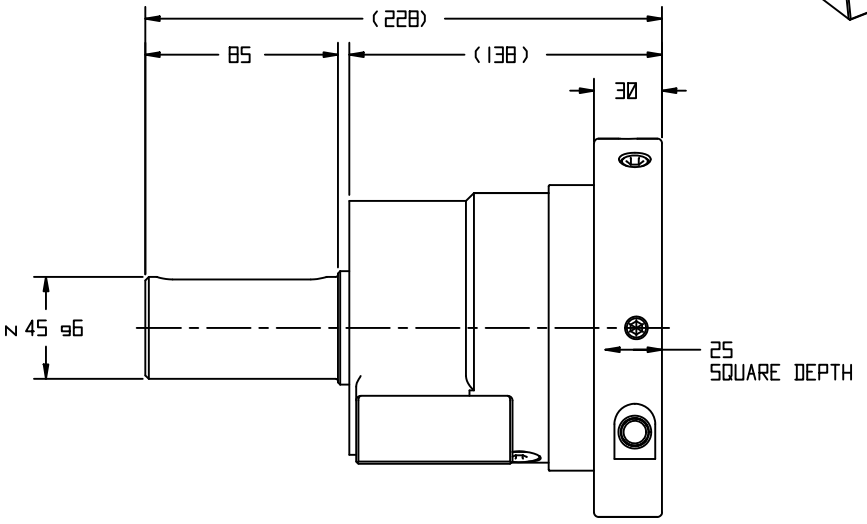


REVISIONS			
REV	DESCRIPTION	DATE	APPROVED
B	ECD 2/8/53	8/7/15	MRV



SCALE 0.4000



NOTES:
 1. THIS DRAWING IS THE PROPERTY OF THE DOUBLE E COMPANY
 IT IS PROPRIETARY AND CONFIDENTIAL, ALL RIGHTS RESERVED.
 2. MAXIMUM LOAD PER SAFETY CHUCK = 1619 LBS (7200 N)

13	1	999-522-0196	(5H-196) EXTERNAL RETAINING RING
12	2	999-426-1200	FHSC5 MB X 10 MM
11	4	999-418-0015	MB-1.25 X 10MM LG LHSC5
10	2	999-402-1207	MB-1.25 x 40MM LG. SHCS
9	1	899-120-0003	BALL BEARING; 6210-2RS
8	1	899-120-0001	BALL BEARING; SKF 6010-2RS1
7	1	72901-0256	SMI00/SP11 LH/RH FP COMPLETE
6	1	72601-0018	UPPER JAW - V40
5	1	72601-0017	INTERCHANGABLE JAW - IV40
4	1	72301-0048	PEDESTAL MOUNT BODY
3	1	72201-0004	CAM
2	1	70302-0031	BORED COVER
1	1	154255	DRIVEN SPINDLE
ITEM	QTY.	PART No.	DESCRIPTION



QUOTE: -		DOUBLE E COMPANY, INC. 309 HANLEY ST. SUITE 301 WEST BRIDGEWATER, MA 02379 USA TEL: (508) 588-8899 FAX: (508) 588-2915 www.doublee.com	
SUPERSEDED BY	TOLERANCES AND FEATURES EXCEPT AS NOTED	TITLE	
SUPERSEDES	X = .1 ALL FILLETS 1.5 R(MAX) Y = .3 ALL CHAMFERS 1.5 X 45° SURFACE FINISH: 125 RMS ANGLES = 1° ANGLE ALIGNMENTS = ± 2° CENTERLINE FEATURES: ON CENTER ± .05	SP11/PI/IV40 REPLACEABLE JAW INSERTS LH/RH PUSH BUTTON	
THIS DRAWING WAS PRODUCED ON A CAD SYSTEM. DO NOT ALTER MANUALLY. DO NOT SCALE FROM THIS DRAWING.		DRAWING NO.	
DRAWN BY	SMM	DATE	6/19/12
APPROVED BY	MRV	SCALE	0.6000
NEXT ASSY.	TOP ASSY.	SHEET	1 OF 1
		REV.	B.1
		999-806-A180	