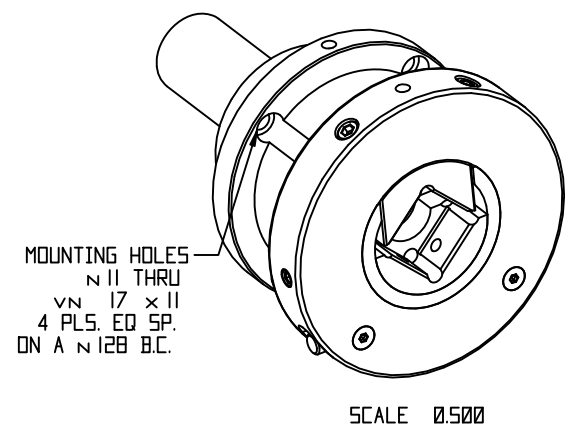
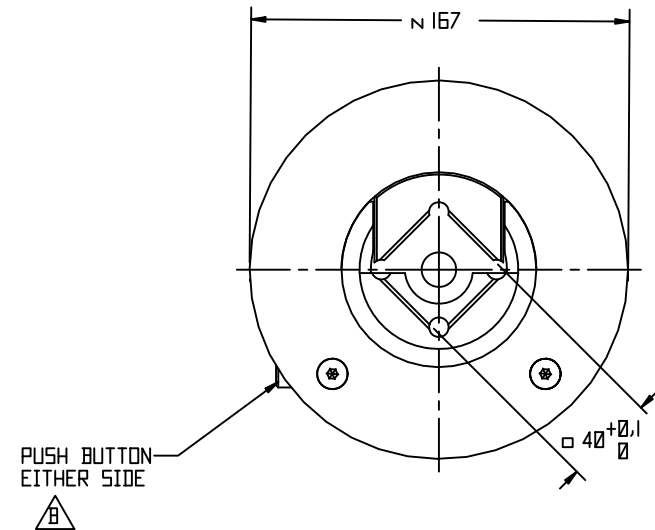
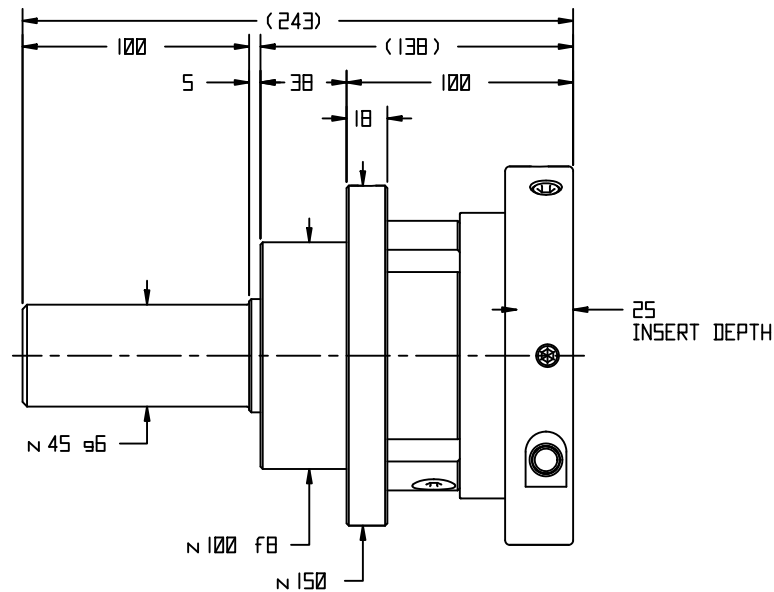


REVISIONS			
REV	DESCRIPTION	DATE	APPROVED
B	ECD 27472	2/2/15	MRV



NOTES:
 1. THIS DRAWING IS THE PROPERTY OF THE DOUBLE E COMPANY
 IT IS PROPRIETARY AND CONFIDENTIAL, ALL RIGHTS RESERVED.
 2. MAXIMUM LOAD PER SAFETY CHUCK = 1619 LBS (7200 N)

13	1	999-522-0196	(5H-196) EXTERNAL RETAINING RING
12	2	999-426-1200	FHSC5 MB X 10 MM
11	4	999-418-0015	MB-1.25 X 10MM LG LHSC5
10	2	999-402-1207	MB-1.25 x 40MM LG. SHCS
9	1	899-120-0003	BALL BEARING; 6210-2RS
8	1	899-120-0001	BALL BEARING; SKF 6010-2RS1
7	1	72901-0256	SMI00/SPI1 LH/RH FP COMPLETE
6	1	72601-0018	UPPER JAW - V40
5	1	72601-0017	INTERCHANGABLE JAW - IV40
4	1	72201-0004	CAM
3	1	70302-0031	BORED COVER
2	1	154243	DRIVEN SPINDLE
1	1	151438	FLANGE MOUNT BODY
ITEM	QTY.	PART No.	DESCRIPTION

QUOTE: -		DOUBLE E COMPANY, INC.	
		319 HANLEY ST. SUITE 301 WEST BRIDGEWATER, MA 02379 USA TEL: (508) 588-8899 FAX: (508) 588-2915 www.doublee.com	
SUPERSEDED BY	TOLERANCES AND FEATURES EXCEPT AS NOTED	TITLE	
SUPERSEDES	X = .1 ALL FILLETS 1.5 R(MAX) X = .3 ALL CHAMFERS 1.5 X 45 ° XX = .13 SURFACE FINISH: 125 RMS ANGLES = 1 ° ANGULAR ALIGNMENTS = .2 ° CENTERLINE FEATURES: ON CENTER .05	SPII/FI/IV40 REPLACEABLE JAW INSERTS LH/RH PUSH BUTTON	
	THIS DRAWING WAS PRODUCED ON A CAD SYSTEM. DO NOT ALTER MANUALLY. DO NOT SCALE FROM THIS DRAWING.	DRAWING NO.	
	DRAWN BY: TJM DATE: 6/28/11 SCALE: 0.600	REV.	
	APPROVED BY: MRV DATE: 6/28/11 SHEET: 1 OF 1	999-806-A077	
NEXT ASSY.	TOP ASSY.	B.1	