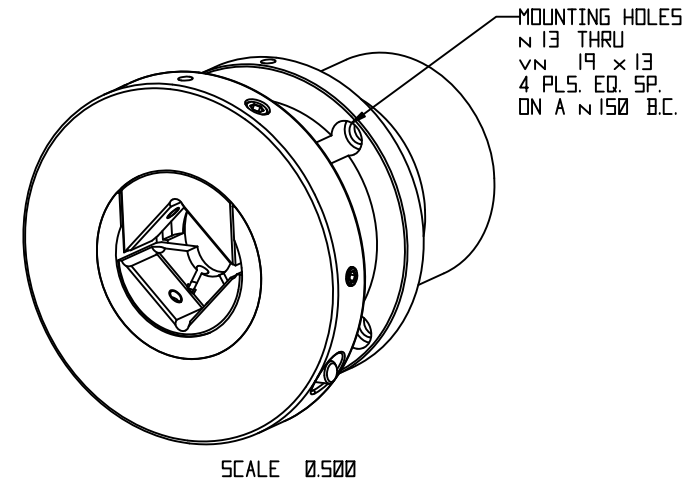
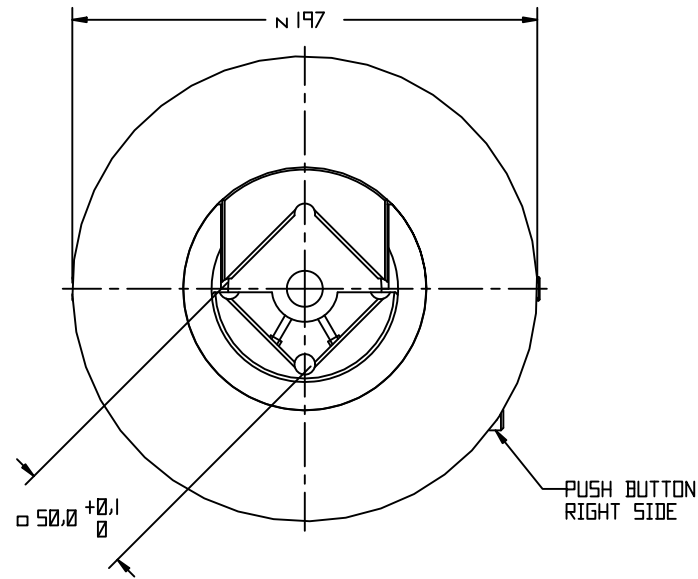
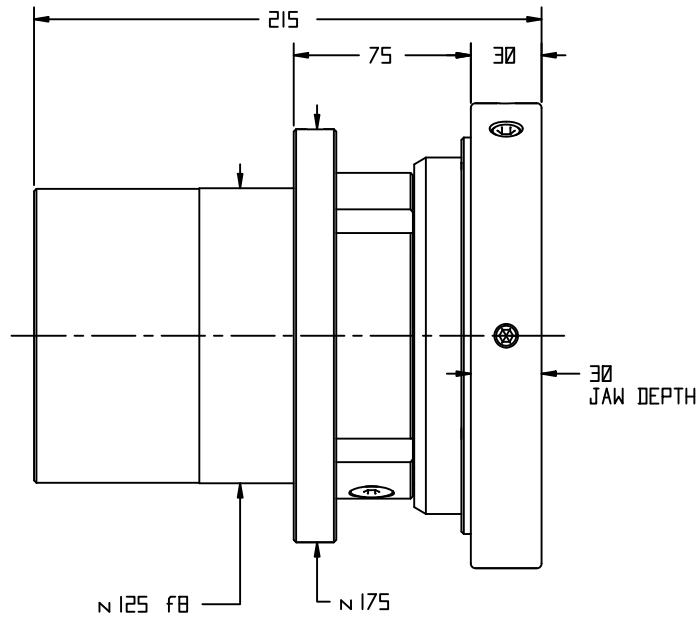


REVISIONS			
REV	DESCRIPTION	DATE	APPROVED
A	ERN 23004	7/18/12	MRV



NOTES:

- THIS DRAWING IS THE PROPERTY OF THE DOUBLE E COMPANY IT IS PROPRIETARY AND CONFIDENTIAL, ALL RIGHTS RESERVED.
- MAXIMUM LOAD PER SAFETY CHUCK = 3147 LBS (14000 N)

21	1	999-522-0215	EXTERNAL RETAINING RING
20	1	999-465-0101	6MM X 14MM DOWEL PIN
19	1	999-465-0033	DOWEL PIN (8MM X 20MM)
18	2	999-426-1200	FHSCS M8 X 10 MM
17	4	999-426-1054	M4 X 12MM LG. F.H.S.C.S.
16	4	999-418-0014	M8-1.25 X 16MM LG LHSCS
15	2	999-415-1300	CM10-1.5J X 10 LG. S.S.S.
14	2	999-402-1209	M8-1.25 X 50MM LG SHCS
13	3	899-120-0002	BALL BEARING SKF 6011-2Z
12	1	72901-0062	RH FACEPLATE
11	1	72701-0006	RH PUSH BUTTON
10	1	72601-0075	UPPER INSERT- IV50
9	1	72601-0008	INTERCHANGABLE INSERT- IV50
8	1	72501-0006	PLASTIC SLEEVE
7	1	72401-0031	IDLER SPINDLE
6	1	72301-0043	FLANGE MOUNT BODY
5	1	72201-0002	CAM
4	1	70302-0029	CLOSED COVER
3	1	63101-0002	8MM STAINLESS STEEL BALL
2	2	62302-0008	COMPRESSION SPRING
1	1	62302-0006	COMPRESSION SPRING
ITEM	QTY.	PART No.	DESCRIPTION

SUPERSEDED BY		TOLERANCES AND FEATURES EXCEPT AS NOTED	TITLE
SUPERSEDES		X = .1 ALL FILLETS 1.5 R(MAX) X = .3 ALL CHAMFERS 1.5 X 45 ° XX = .13 SURFACE FINISH: 125 RMS ANGLES = 1 ° ANGULAR ALIGNMENTS = .2 ° CENTERLINE FEATURES: ON CENTER .05	SPI00/F0/IV50 REPLACEABLE INSERTS RH PUSH BUTTON
NEXT ASSY.		TOP ASSY.	THIS DRAWING WAS PRODUCED ON A CAD SYSTEM. DO NOT ALTER MANUALLY. DO NOT SCALE FROM THIS DRAWING.
DATE	SCALE	DRAWING NO.	REV.
7/18/12	0.625	999-806-0989	A.1
APPROVED BY	DRAWN BY	DATE	SCALE
MRV	SMM	7/18/12	0.625
DATE	DRAWN BY	DATE	SCALE
7/18/12	SMM	7/18/12	0.625
NEXT ASSY.		TOP ASSY.	THIS DRAWING WAS PRODUCED ON A CAD SYSTEM. DO NOT ALTER MANUALLY. DO NOT SCALE FROM THIS DRAWING.
NEXT ASSY.		TOP ASSY.	THIS DRAWING WAS PRODUCED ON A CAD SYSTEM. DO NOT ALTER MANUALLY. DO NOT SCALE FROM THIS DRAWING.

DOUBLE E COMPANY, INC.
319 HANLEY ST. SUITE 301 WEST BRIDGEWATER, MA 02379 USA
TEL.(508) 588-8899 FAX.(508) 588-2915 www.doublee.com

QUOTE: 12-50982-1

SUPERSEDED BY

TOLERANCES AND FEATURES EXCEPT AS NOTED

SPI00/F0/IV50
REPLACEABLE INSERTS
RH PUSH BUTTON

THIS DRAWING WAS PRODUCED ON A CAD SYSTEM. DO NOT ALTER MANUALLY. DO NOT SCALE FROM THIS DRAWING.

DRAWN BY SMM DATE 7/18/12 SCALE 0.625 DRAWING NO.

APPROVED BY MRV DATE 7/18/12 SCALE 0.625 REV.

NEXT ASSY. TOP ASSY.

999-806-0989

A.1