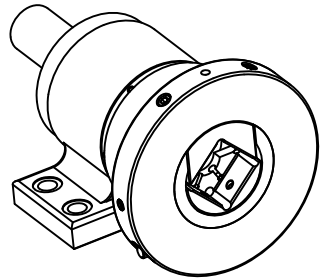
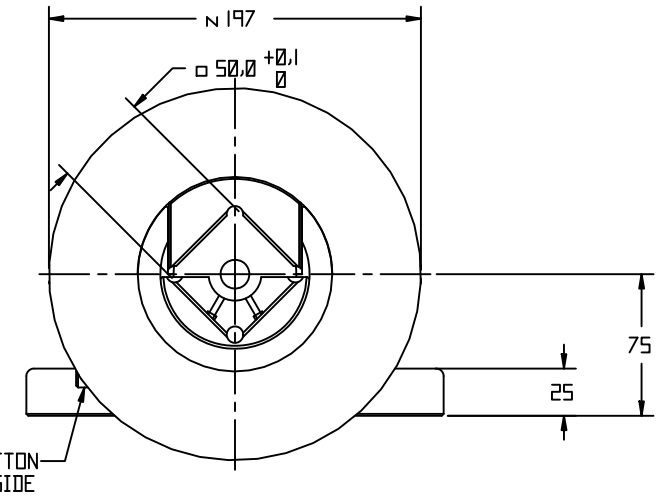
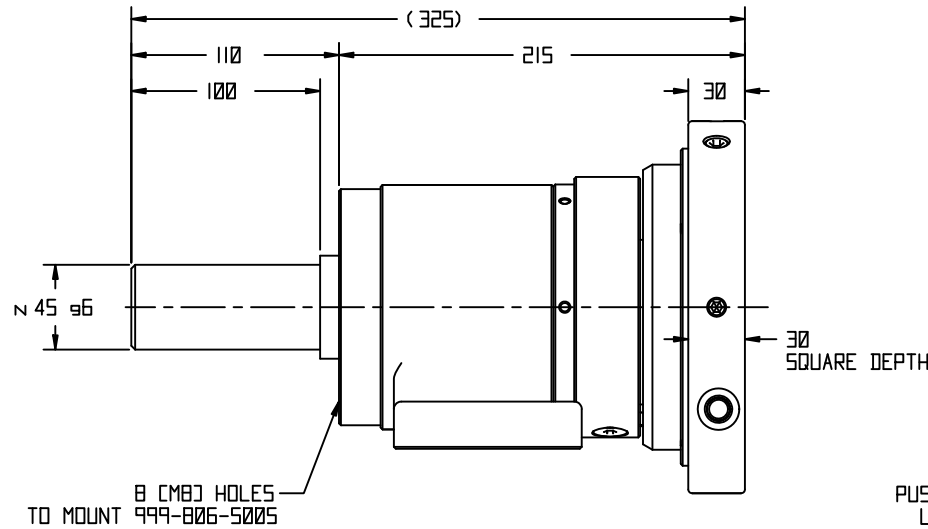


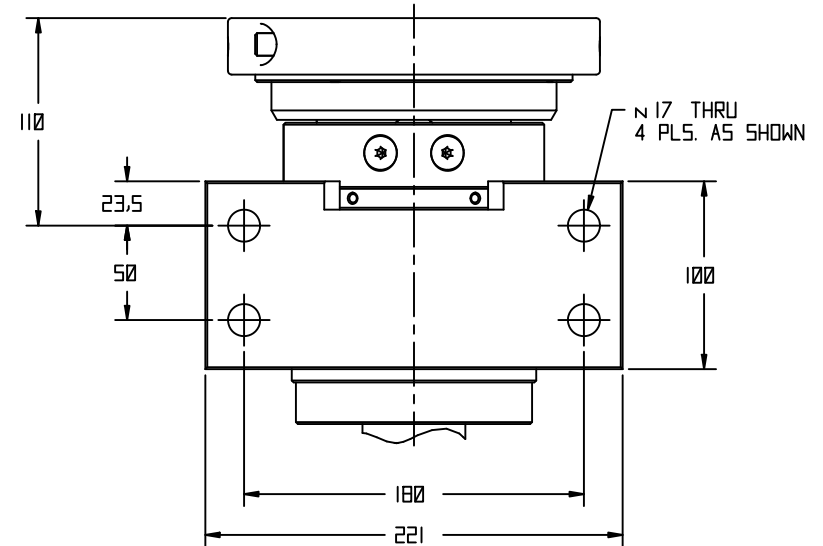
REVISIONS			
REV	DESCRIPTION	DATE	APPROVED
A	ERN 22200	1/17/12	MRV



SCALE 0.300



- NOTES:  
 1. THIS DRAWING IS THE PROPERTY OF THE DOUBLE E COMPANY IT IS PROPRIETARY AND CONFIDENTIAL, ALL RIGHTS RESERVED.  
 2. MAXIMUM LOAD PER SAFETY CHUCK = 3147 LBS (14000 N)



21	1	80730	PEDESTAL MOUNT BODY
20	1	999-522-0215	EXTERNAL RETAINING RING
19	1	999-465-0101	6MM X 14MM DOWEL PIN
18	1	999-465-0033	DOWEL PIN (8MM X 20MM)
17	2	999-426-1200	FHSCS M8 X 10 MM
16	4	999-426-1054	M4 X 12MM LG. F.H.S.C.S.
15	4	999-418-0014	M8-1.25 X 16MM LG LHSCS
14	2	999-415-1300	CM10-1.53 X 10 LG. S.S.S.
13	2	999-402-1209	M8-1.25 X 50MM LG SHCS
12	3	899-120-0002	BALL BEARING 6011-2Z
11	1	72901-0061	LH FACEPLATE
10	1	72701-0005	LH PUSH BUTTON
9	1	72601-0075	UPPER INSERT- IV50
8	1	72601-0008	INTERCHANGABLE INSERT- IV50
7	1	72501-0006	PLASTIC SLEEVE
6	1	72201-0002	CAM
5	1	70302-0035	BORECOVER
4	1	63101-0002	8MM STAINLESS STEEL BALL
3	2	62302-0008	COMPRESSION SPRING
2	1	62302-0006	COMPRESSION SPRING
1	1	150876	DRIVEN SPINDLE
ITEM	QTY.	PART No.	DESCRIPTION

QUOTE: -				DOUBLE E COMPANY, INC.	
				309 HANLEY ST. SUITE 301 WEST BRIDGEWATER, MA 02379 USA TEL: (508) 588-8899 FAX: (508) 588-2915 www.doublee.com	
SUPERSEDED BY	TOLERANCES AND FEATURES EXCEPT AS NOTED			TITLE	
	X = .1	ALL FILLETS 1.5 R(MAX)			SPI00/PI/IV50 REPLACEABLE INSERTS LH PUSH BUTTON
SUPERSEDES	X = .3	ALL CHAMFERS 1.5 X 45 °			
	XX = .13	SURFACE FINISH: 125 RMS			
		ANGLES = 1 °			
		ANGULAR ALIGNMENTS = ± 2 °			
		CENTERLINE FEATURES: ON CENTER ± .05			
THIS DRAWING WAS PRODUCED ON A CAD SYSTEM. DO NOT ALTER MANUALLY. DO NOT SCALE FROM THIS DRAWING.					
DRAWN BY	DMF	DATE	1/17/12	SCALE	0.500
APPROVED BY	MRV	DATE	1/17/12	SHEET	1 OF 1
NEXT ASSY.	TOP ASSY.			DRAWING NO.	999-806-0988
					REV. A.1