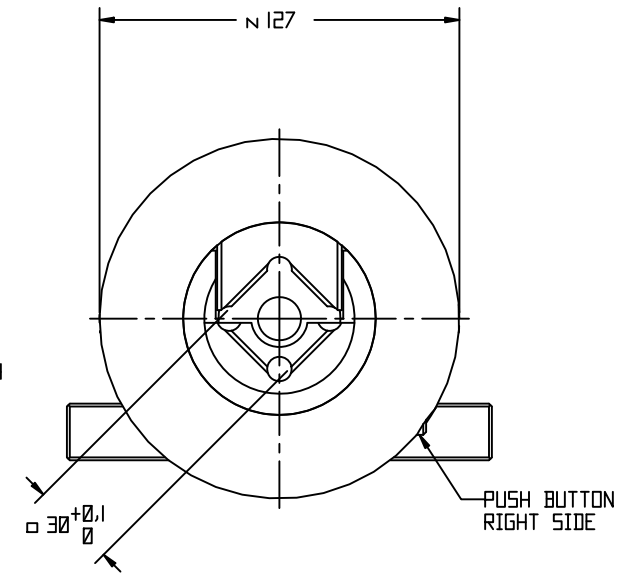
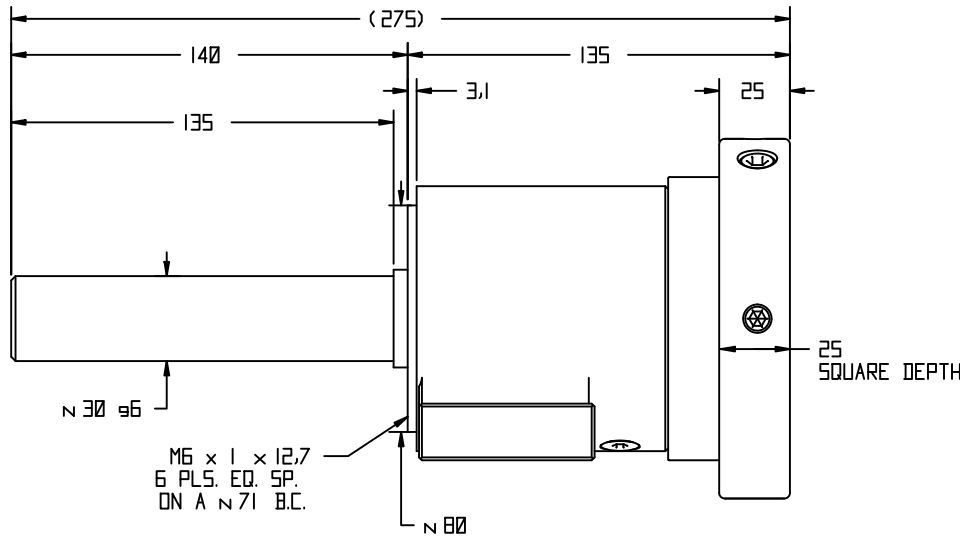
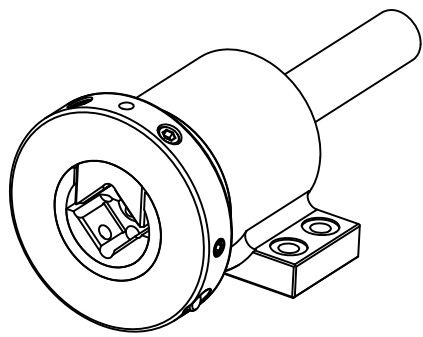
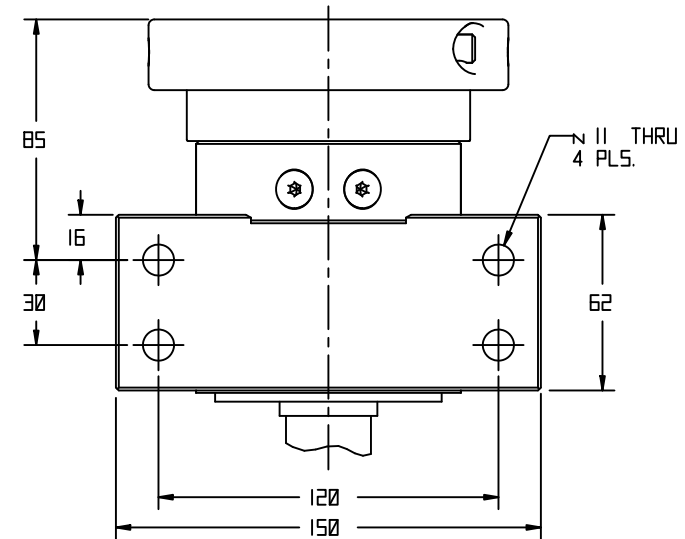


REVISIONS			
REV	DESCRIPTION	DATE	APPROVED
A	ERN 22411	3/7/12	MRV



- NOTES:
 1. THIS DRAWING IS THE PROPERTY OF THE DOUBLE E COMPANY
 IT IS PROPRIETARY AND CONFIDENTIAL, ALL RIGHTS RESERVED.
 2. MAXIMUM LOAD PER SAFETY CHUCK = 787 LBS (3500 N)
 3. MAXIMUM TRANSMISSABLE TORQUE = 221 LB-FT (3000 NM)



22	1	999-522-0137	EXTERNAL RETAINING RING
21	1	999-465-0099	5MM X 10MM DOWEL PIN
20	1	999-465-0033	DOWEL PIN (8MM X 20MM)
19	2	999-464-0085	8MM X 12MM LG. SLOTTED PIN
18	2	999-426-1299	FHSCS M8 X 14 MM
17	2	999-426-1151	M6-1.0 X 10MM LG. F.H.S.C.S.
16	4	999-426-1053	M4 X 10MM LG. F.H.S.C.S.
15	2	999-415-1300	CM10-1.53 X 10 LG. S.S.S.
14	2	999-402-1205	M8-1.25 X 30 LG. SHCS
13	2	899-120-0143	BALL BEARING; SKF 6007-2Z
12	1	72901-0064	RH FACEPLATE
11	1	72701-0004	RH PUSH BUTTON
10	1	72601-0041	UPPER INSERT - IV30
9	1	72601-0039	INTERCHANGABLE INSERT - IV30
8	1	72501-0008	PLASTIC SLEEVE
7	1	72201-0009	CAM
6	1	70302-0037	BORED COVER
5	1	63101-0002	8MM STAINLESS STEEL BALL
4	2	62302-0014	COMPRESSION SPRING
3	1	62302-0007	COMPRESSION SPRING
2	1	153110	DRIVE SPINDLE
1	1	151057	PEDESTAL MOUNT BODY
ITEM	QTY.	PART No.	DESCRIPTION

SUPERSEDED BY		TOLERANCES AND FEATURES EXCEPT AS NOTED		TITLE	
SUPERSEDES		X = .1	ALL FILLETS 1.5 R(MAX)	DOUBLE E COMPANY, INC. 309 HANLEY ST. SUITE 301 WEST BRIDGEWATER, MA 02379 USA TEL: (508) 588-8899 FAX: (508) 588-2915 www.doublee.com	
		X = .3	ALL CHAMFERS 1.5 X 45 °		
		XX = .13	SURFACE FINISH: 125 RMS		
			ANGLES = 1 °		
			ANGULAR ALIGNMENTS = ± 2 °	SL100/PI/IV30 REPLACEABLE JAW INSERTS RH PUSH BUTTON SPECIAL	
			CENTERLINE FEATURES: ON CENTER .05		
		THIS DRAWING WAS PRODUCED ON A CAD SYSTEM. DO NOT ALTER MANUALLY. DO NOT SCALE FROM THIS DRAWING.			
		DRAWN BY: KB DATE: 3/7/12 SCALE: 0.75X APPROVED BY: MRV DATE: 3/7/12 SHEET: 1 OF 1	DRAWING NO.		
NEXT ASSY.	TOP ASSY.			999-806-0956	A.2