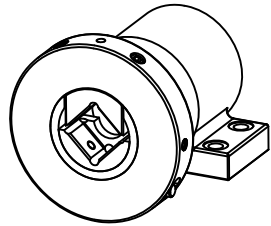
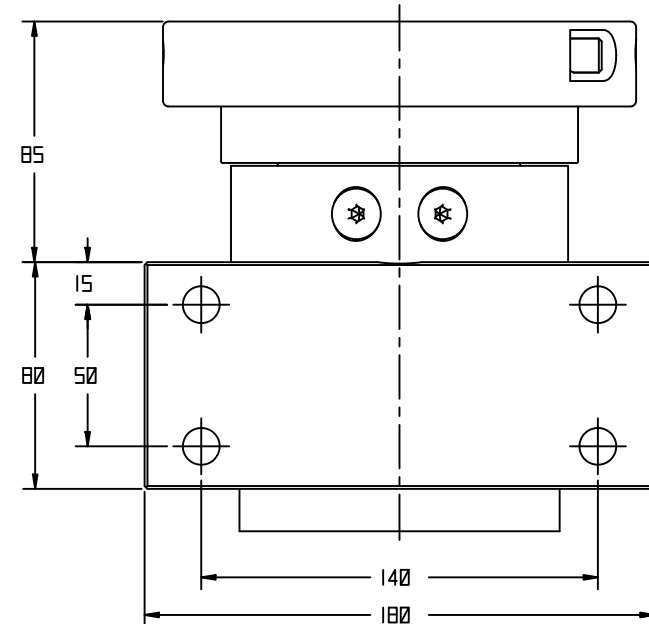
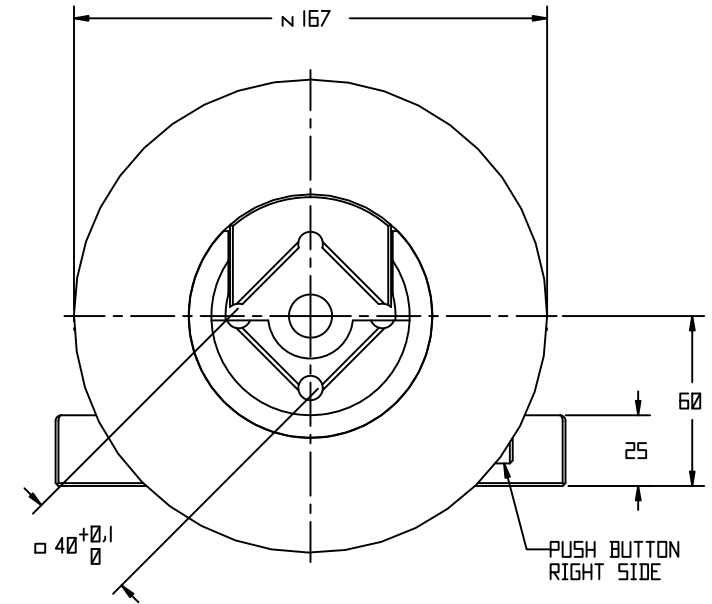
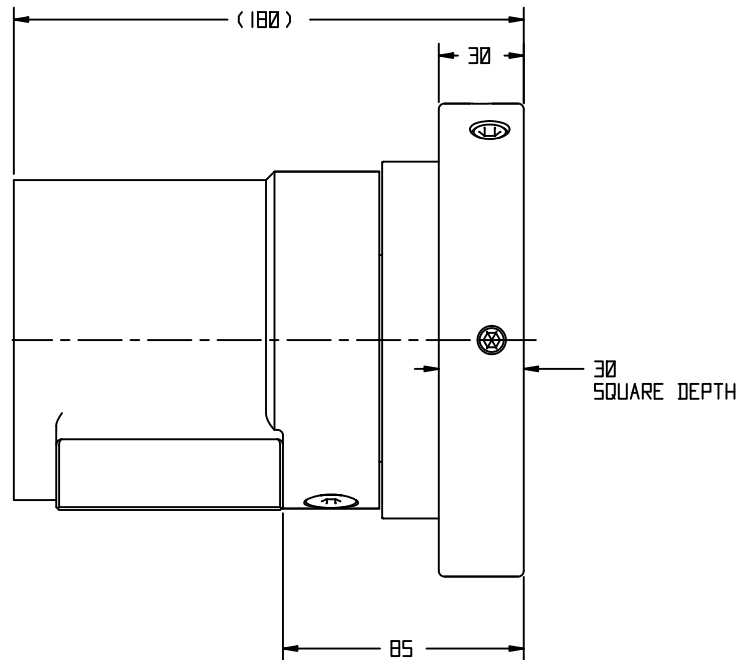


REVISIONS			
REV	DESCRIPTION	DATE	APPROVED
C	ECD 27449	1/19/15	MRV



SCALE 0.3000



NOTES:

1. THIS DRAWING IS THE PROPERTY OF THE DOUBLE E COMPANY. IT IS PROPRIETARY AND CONFIDENTIAL. ALL RIGHTS RESERVED.
2. MAXIMUM LOAD PER SAFETY CHUCK = 1619 LBS (7200 N)

22	1	999-522-0196	(5H-196) EXTERNAL RETAINING RING
21	1	999-465-0098	6MM x 12MM DOWEL PIN
20	1	999-465-0033	DOWEL PIN (8MM x 20MM)
19	2	999-426-1200	FHSCS M8 X 10 MM
18	4	999-426-1054	M4 X 12MM LG. F.H.S.C.S.
17	4	999-418-0009	M8-1.25 X 12MM LG LHSCS
16	2	999-415-1300	CM10-1.5J x 10 LG. S.S.S.
15	2	999-402-1207	M8-1.25 x 40MM LG. SHCS
14	3	899-120-0001	BALL BEARING; SKF 6010-2RS1
13	1	72901-0004	RH FACEPLATE
12	1	72701-0001	RH PUSH BUTTON
11	1	72601-0055	INTERCHANGABLE JAW - IV40
10	1	72601-0018	UPPER JAW - V40
9	1	72501-0001	PLASTIC SLEEVE
8	1	72401-0032	IDLER SPINDLE
7	1	72301-0042	PEDESTAL MOUNT BODY
6	1	72201-0004	CAM
5	1	70302-0028	CLOSED COVER
4	1	63101-0002	8MM STAINLESS STEEL BALL
3	1	62302-0006	COMPRESSION SPRING
2	1	62302-0005	COMPRESSION SPRING
1	1	62302-0003	COMPRESSION SPRING
ITEM	QTY.	PART No.	DESCRIPTION

QUOTE: 11-3103141-A

DOUBLE E COMPANY, INC.
 309 HANLEY ST. SUITE 301 WEST BRIDGEWATER, MA 02379 USA
 TEL (508) 588-8899 FAX (508) 588-2915 www.doublee.com

SUPERSEDED BY	TOLERANCES AND FEATURES EXCEPT AS NOTED	TITLE
SUPERSEDES	X = .1 ALL FILLETS 1.5 R(MAX) Y = .3 ALL CHAMFERS 1.5 X 45° SURFACE FINISH: 125 RMS ANGLES = 1° ANGLAR ALIGNMENTS = .2° CENTERLINE FEATURES: ON CENTER .05	SM100/P0/IV40 REPLACEABLE JAW INSERTS RH PUSH BUTTON
	THIS DRAWING WAS PRODUCED ON A CAD SYSTEM. DO NOT ALTER MANUALLY. DO NOT SCALE FROM THIS DRAWING.	CUST: - DEM: -
DRAWN BY	DATE	SCALE
MMV	7/12/11	0.750
APPROVED BY	DATE	SHEET
MRV	7/12/11	1 OF 1
NEXT ASSY.	TOP ASSY.	DRAWING NO.
		999-806-0554
		REV.
		C.1+