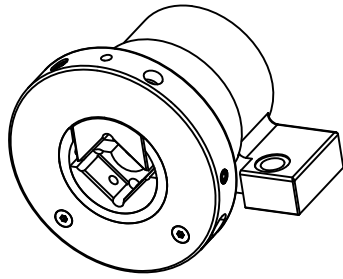
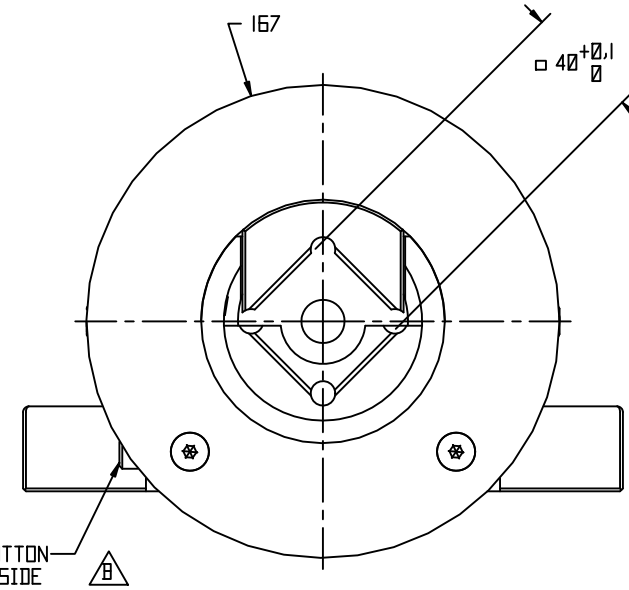
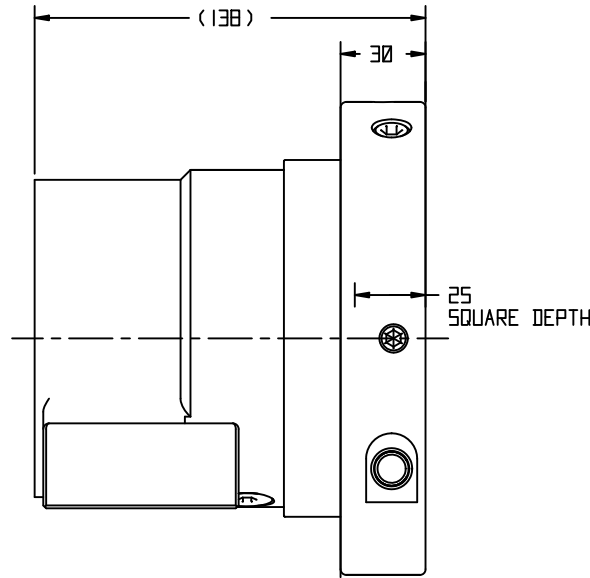


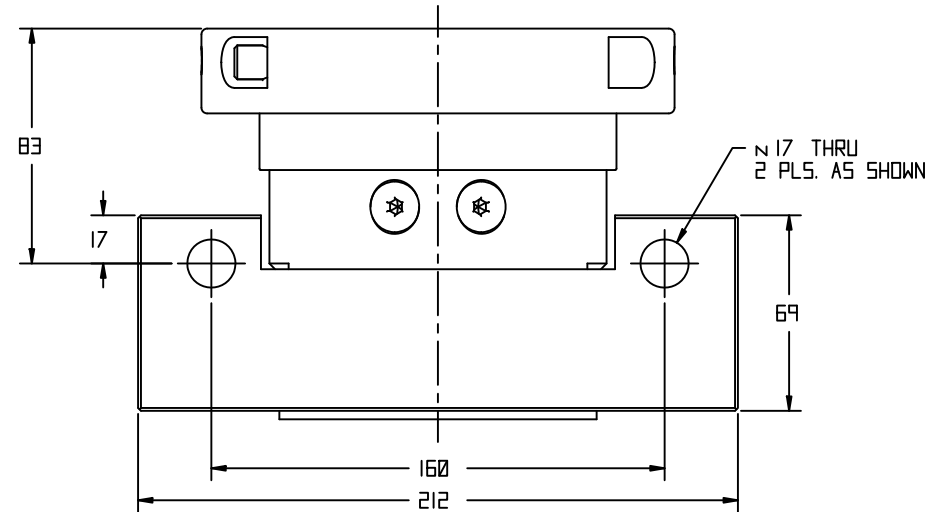
REVISIONS			
REV	DESCRIPTION	DATE	APPROVED
B	ECD 27466	1/26/15	MRV



SCALE 0.375



- NOTES:
 1. THIS DRAWING IS THE PROPERTY OF THE DOUBLE E COMPANY
 IT IS PROPRIETARY AND CONFIDENTIAL, ALL RIGHTS RESERVED.
 2. MAXIMUM LOAD PER SAFETY CHUCK = 1619 LBS (7200 N)



13	1	999-522-0196	(5H-196) EXTERNAL RETAINING RING
12	2	999-426-1200	FHSC5 MB X 10 MM
11	4	999-418-0015	MB-1.25 X 10MM LG LHSC5
10	2	999-402-1207	MB-1.25 X 40MM LG. SHCS
9	1	899-120-0003	BALL BEARING; 6210-2RS
8	1	899-120-0001	BALL BEARING; SKF 6010-2RS1
7	1	72901-0256	SM100/SP11 LH/RH FP COMPLETE
6	1	72601-0018	UPPER JAW - V40
5	1	72601-0017	INTERCHANGABLE JAW - IV40
4	1	72401-0038	IDLER SPINDLE
3	1	72301-0048	PEDESTAL MOUNT BODY
2	1	72201-0004	CAM
1	1	70302-0031	BORED COVER
ITEM	QTY.	PART No.	DESCRIPTION

QUOTE: -

DOUBLE E COMPANY, INC.
 319 HANLEY ST. SUITE 301 WEST BRIDGEWATER, MA 02379 USA
 TEL: (508) 588-8899 FAX: (508) 588-2915 www.doubleeusa.com

SUPERSEDED BY	TOLERANCES AND FEATURES EXCEPT AS NOTED	TITLE
SUPERSEDES	X = .1 ALL FILLETS 1.5 R(MAX) Y = .3 ALL CHAMFERS 1.5 X 45 ° SURFACE FINISH: 125 RMS ANGLES = 1 ° ANGLE ALIGNMENTS = .2 ° CENTERLINE FEATURES: ON CENTER .05	SP11/P0/IV40 REPLACEABLE JAW INSERTS RH/LH PUSH BUTTON
	THIS DRAWING WAS PRODUCED ON A CAD SYSTEM. DO NOT ALTER MANUALLY. DO NOT SCALE FROM THIS DRAWING.	CUST: - DEM:
	DRAWN BY SMM DATE 5/9/12 SCALE 0.750	DRAWING NO.
	APPROVED BY MRV DATE 5/9/12 SHEET 1 OF 1	REV.
NEXT ASSY.	TOP ASSY.	999-806-0345 B.2