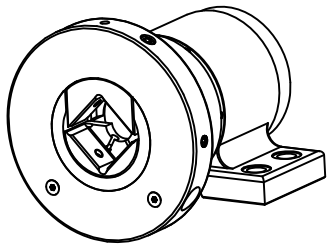
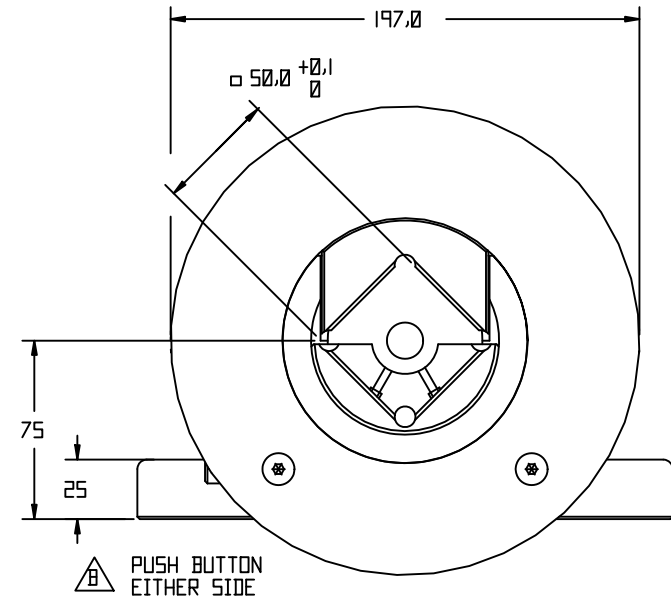
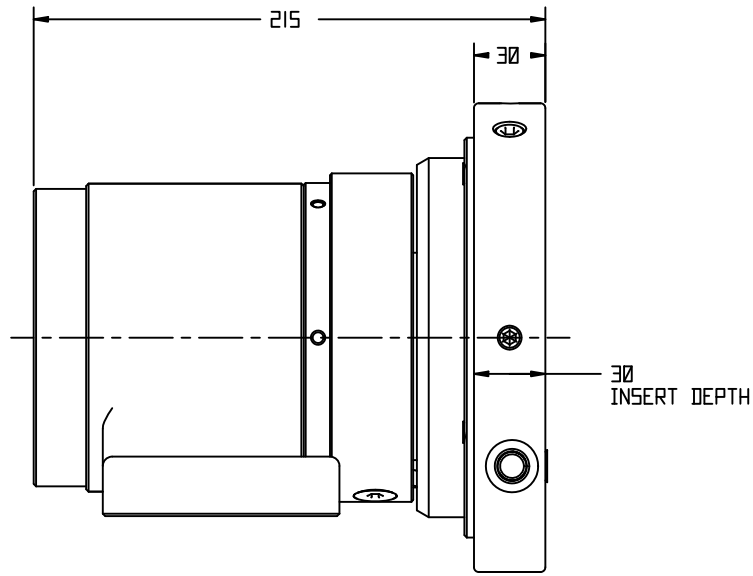
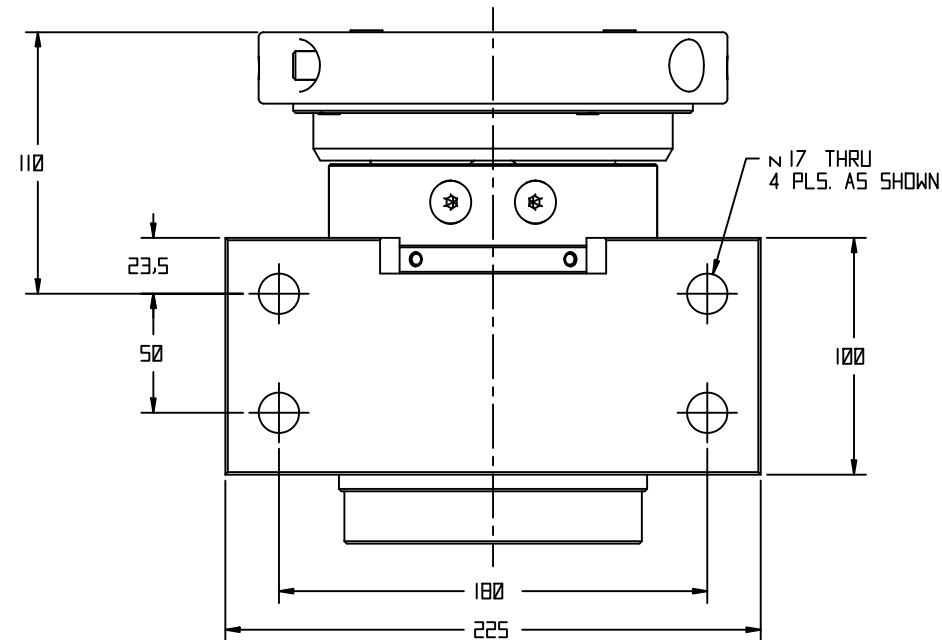


REVISIONS			
REV	DESCRIPTION	DATE	APPROVED
B	ECC-27682	5/7/15	MRV



SCALE 0.300

- NOTES:
 1. THIS DRAWING IS THE PROPERTY OF THE DOUBLE E COMPANY
 IT IS PROPRIETARY AND CONFIDENTIAL, ALL RIGHTS RESERVED.
 2. MAXIMUM LOAD PER SAFETY CHUCK = 3147 LBS (14000 N)



12	1	999-522-0215	(SH-215) EXTERNAL RETAINING RING
11	2	999-426-1200	FHSCS M8 X 10 MM
10	4	999-418-0014	M8-1.25 X 16MM LG LHSCS
9	2	999-402-1209	M8-1.25 X 50MM LG SHCS
8	3	899-120-0002	BALL BEARING 6011-2Z
7	1	72901-0235	SPI00 SX FP COMPLETE
6	1	72601-0075	UPPER INSERT- IV50
5	1	72601-0008	INTERCHANGABLE INSERT- IV50
4	1	72401-0031	IDLER SPINDLE
3	1	72301-0091	PEDESTAL MOUNT BODY
2	1	72201-0002	CAM
1	1	70302-0029	CLOSED COVER
ITEM	QTY.	PART No.	DESCRIPTION



QUOTE:				DOUBLE E COMPANY, INC.	
				319 HANLEY ST. SUITE 301 WEST BRIDGEWATER, MA 02379 USA TEL: (508) 588-8899 FAX: (508) 588-2915 www.doublee.com	
SUPERSEDED BY	TOLERANCES AND FEATURES EXCEPT AS NOTED	TITLE			
	X = .1 ALL FILLETS 1.5 R(MAX)	SPI00/P0/IV50			
SUPERSEDES	X = .3 ALL CHAMFERS 1.5 X 45 °	REPLACEABLE INSERTS			
	XX = .13 SURFACE FINISH: 125 RMS	LH/RH PUSH BUTTON			
	ANGULAR ALIGNMENTS = .2°	CUST: TNT MASCHINENBAU GmbH			
	CENTERLINE FEATURES: ON CENTER .05	DEM: -			
	THIS DRAWING WAS PRODUCED ON A CAD SYSTEM. DO NOT ALTER MANUALLY. DO NOT SCALE FROM THIS DRAWING.	DRAWING NO.			
	DRAWN BY KM DATE 01/12/12 SCALE 0.300	REV.			
	APPROVED BY MRV DATE 01/12/12 SHEET 1 OF 1	999-806-0338			
NEXT ASSY.	TOP ASSY.	B.1			