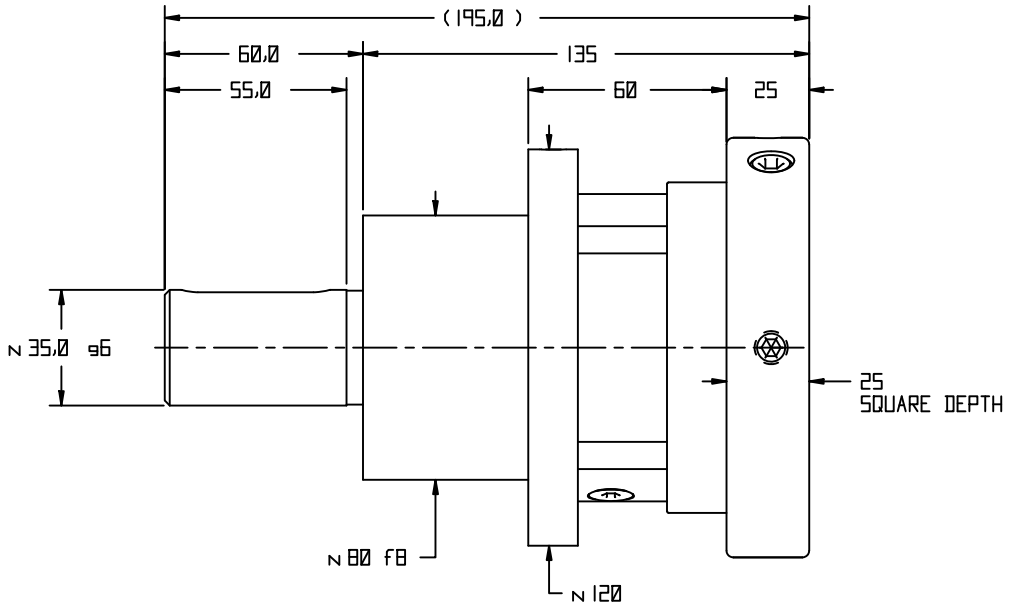
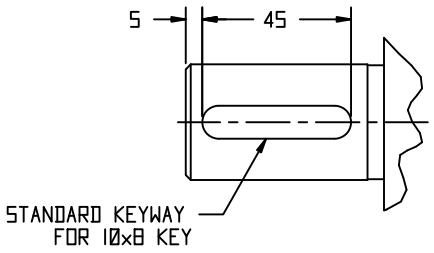
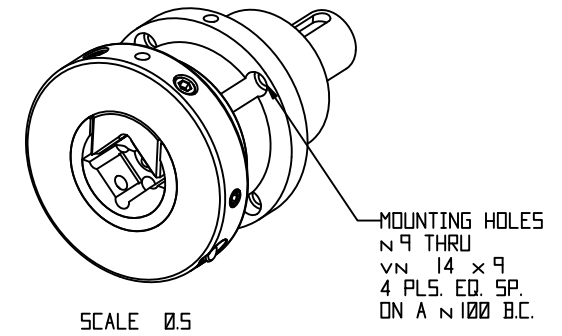
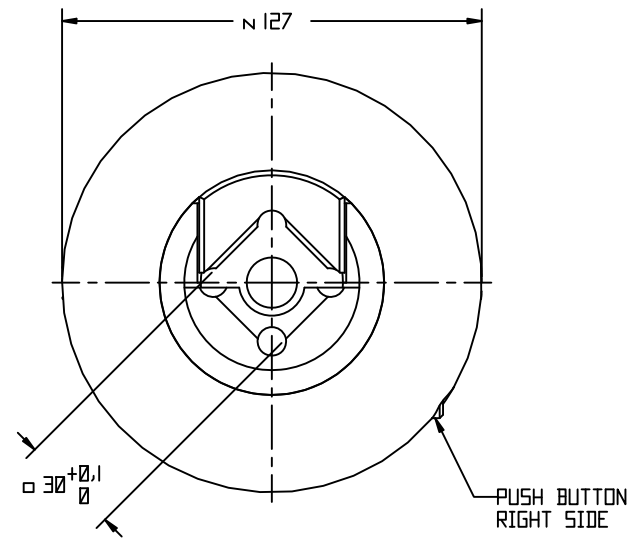


REVISIONS			
REV	DESCRIPTION	DATE	APPROVED
A	ERN 22034	12/3/11	MRV



NOTES:
 1. THIS DRAWING IS THE PROPERTY OF THE DOUBLE E COMPANY. IT IS PROPRIETARY AND CONFIDENTIAL, ALL RIGHTS RESERVED.
 2. MAXIMUM LOAD PER SAFETY CHUCK = 787 LBS (3500 N)
 3. MAXIMUM TRANSMISSABLE TORQUE = 221 LB-FT (300 NM)



22	1	999-522-0137	EXTERNAL RETAINING RING
21	1	999-465-0099	5MM X 10MM DOWEL PIN
20	1	999-465-0033	DOWEL PIN (8MM X 20MM)
19	2	999-464-0085	8MM X 12MM LG. SLOTTED PIN
18	2	999-426-1299	FHSCS M8 X 14 MM
17	2	999-426-1151	M6-1.0 X 10MM LG. F.H.S.C.S.
16	4	999-426-1053	M4 X 10MM LG. F.H.S.C.S.
15	2	999-415-1300	CM10-1.5J X 10 LG. S.S.S.
14	2	999-402-1205	M8-1.25 X 30 LG. SHCS
13	2	899-120-0143	BALL BEARING; SKF 6007-2Z
12	1	72701-0004	RH PUSH BUTTON
11	1	72601-0041	UPPER INSERT - IV30
10	1	72601-0039	INTERCHANGABLE INSERT - IV30
9	1	72501-0008	PLASTIC SLEEVE
8	1	72301-0047	PEDESTAL MOUNT BODY
7	1	72201-0009	CAM
6	1	70302-0037	BORED COVER
5	1	63101-0002	8MM STAINLESS STEEL BALL
4	2	62302-0014	COMPRESSION SPRING
3	1	62302-0007	COMPRESSION SPRING
2	1	700066	RH FACEPLATE
1	1	152492	DRIVE SPINDLE
ITEM	QTY.	PART No.	DESCRIPTION

QUOTE:		DOUBLE E COMPANY, INC.	
		309 HANLEY ST. SUITE 301 WEST BRIDGEWATER, MA 02379 USA TEL (508) 588-8899 FAX (508) 588-2915 www.doublee.com	
SUPERSEDED BY	TOLERANCES AND FEATURES EXCEPT AS NOTED	TITLE	
SUPERSEDES	X = .1 ALL FILLETS 1.5 R(MAX) X = .3 ALL CHAMFERS 1.5 X 45 ° XX = .13 SURFACE FINISH: 125 RMS ANGLES = 1 °	SL100/FI/IV30 REPLACEABLE JAW INSERTS RH PUSH BUTTON	
	ANGULAR ALIGNMENTS = .2 ° CENTERLINE FEATURES: ON CENTER .05	CUST:	
	THIS DRAWING WAS PRODUCED ON A CAD SYSTEM. DO NOT ALTER MANUALLY. DO NOT SCALE FROM THIS DRAWING.	DEM:	
DRAWN BY	DATE	SCALE	DRAWING NO.
DMF	12/3/11	0.675	999-806-0278
APPROVED BY	DATE	SHEET	REV.
MRV	12/3/11	1 OF 1	A.1
NEXT ASSY.	TOP ASSY.		