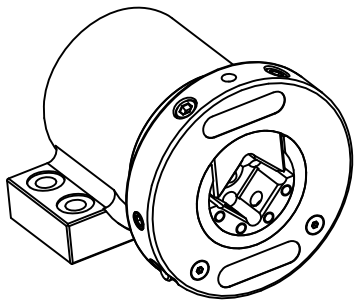
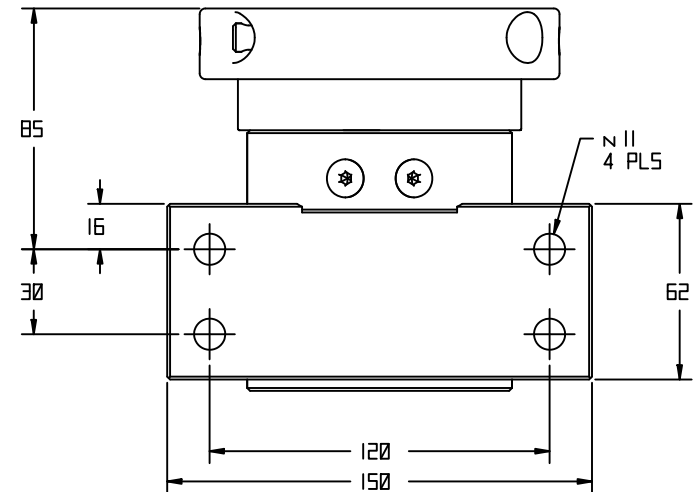
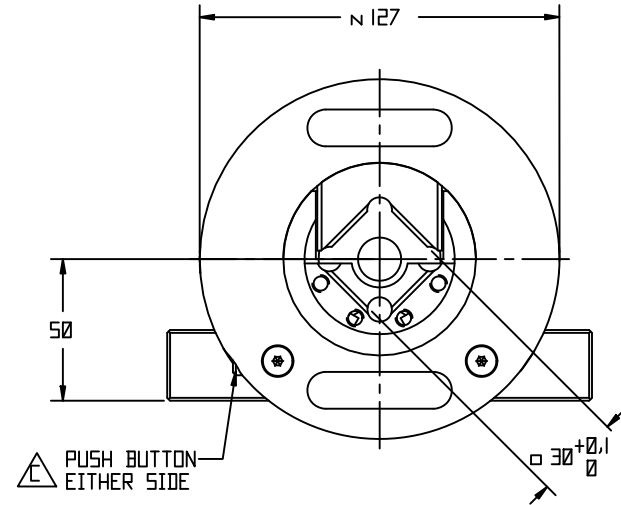
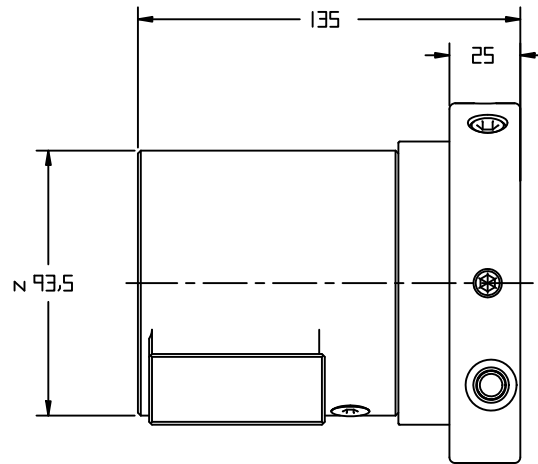


REVISIONS			
REV	DESCRIPTION	DATE	APPROVED
C	ECD 28/01	10/21/15	MRV



SCALE 0.500



NOTES:

- THIS DRAWING IS THE PROPERTY OF THE DOUBLE E COMPANY IT IS PROPRIETARY AND CONFIDENTIAL, ALL RIGHTS RESERVED.
- MAXIMUM LOAD PER SAFETY CHUCK = 787 LBS (3500 N)

13	1	999-522-0137	(SH-137) EXTERNAL RETAINING RING	
12	2	999-464-0085	8MM X 12MM LG. SLOTTED PIN	
11	2	999-426-1299	FHSC5 M8 X 14 MM	△
10	2	999-426-1151	M6-1.0 X 10MM LG. F.H.S.C.S.	
9	2	999-402-1205	M8-1.25 X 30 LG. SHCS	
8	2	899-120-0143	BALL BEARING; SKF 6007-2Z	
7	1	72901-0282	SL100 LH SX FP COMPLETE	△
6	1	72601-0041	UPPER INSERT - IV30	
5	1	72601-0039	INTERCHANGABLE INSERT - IV30	
4	1	72401-0028	IDLER SPINDLE	
3	1	72301-0046	PEDESTAL MOUNT BODY	
2	1	72201-0009	CAM	
1	1	70302-0037	BORED COVER	
ITEM	QTY.	PART No.	DESCRIPTION	

QUOTE: -

DOUBLE E COMPANY, INC.
 319 HANLEY ST. SUITE 301 WEST BRIDGEWATER, MA 02379 USA
 TEL:(508) 588-8899 FAX:(508) 588-2915 www.doublee.com

SUPERSEDED BY	TOLERANCES AND FEATURES EXCEPT AS NOTED	TITLE
	X = .1 ALL FILLETS 1.5 R(MAX) Y = .3 ALL CHAMFERS 1.5 X 45° Z = .13 SURFACE FINISH: 125 RMS ANGLES = 1°	SL100/P0/IV30 REPLACEABLE JAW INSERTS LH/RH PUSH BUTTON
SUPERSEDES	ANGULAR ALIGNMENTS = ± 2° CENTERLINE FEATURES: ON CENTER ± .05	CUST: - DEM: -
	THIS DRAWING WAS PRODUCED ON A CAD SYSTEM. DO NOT ALTER MANUALLY. DO NOT SCALE FROM THIS DRAWING.	
	DRAWN BY SMM DATE 4/28/11 SCALE 0.750	DRAWING NO.
	APPROVED BY MRV DATE 4/28/11 SHEET 1 OF 1	REV.
NEXT ASSY.	TOP ASSY.	999-806-0220 C.1