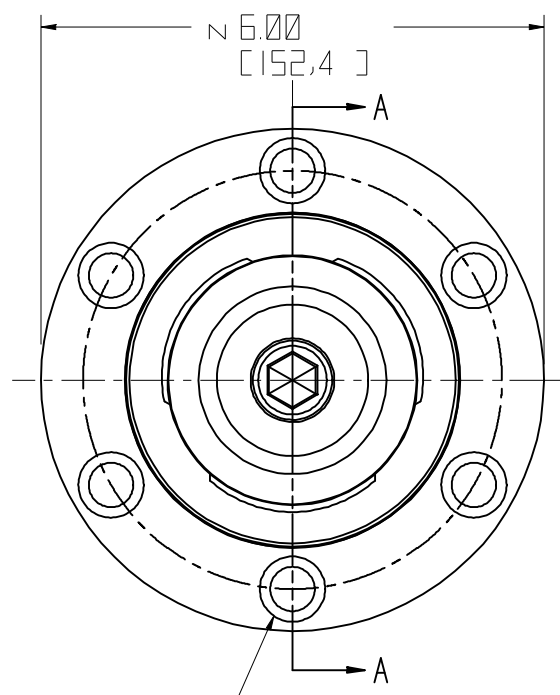


3" NOMINAL CORES
 EXPANDED ~ 3.27" (83.1MM)
 COLLASPED ~ 2.98" (75.7MM)



~ .53 THRU [13,5]
 ~ .78 × .56 [19,8] [14,2]
 6 PLS EQ SP.
 ON A ~ 5.000 B.C. [127]