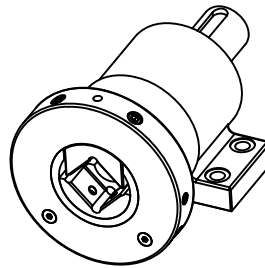
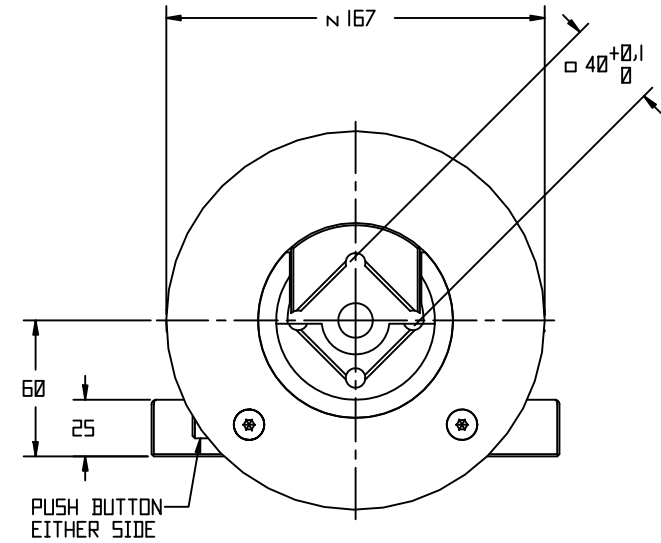
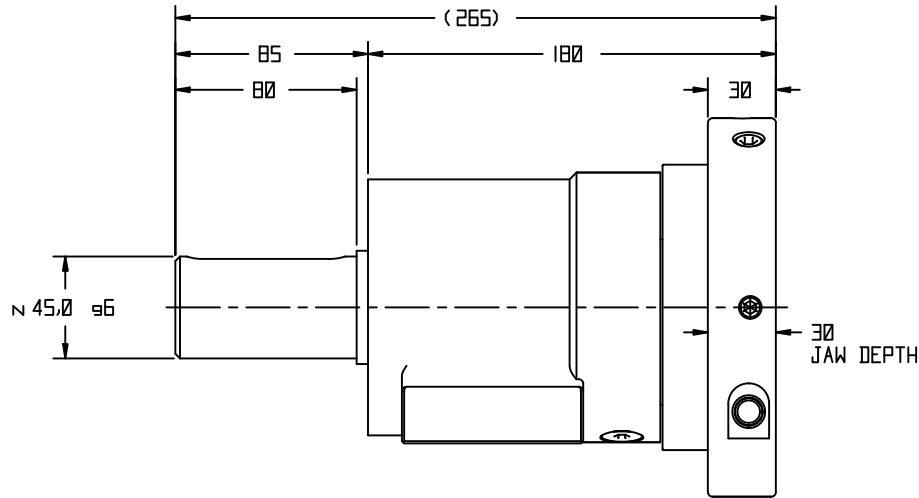
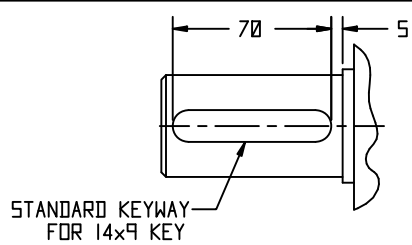
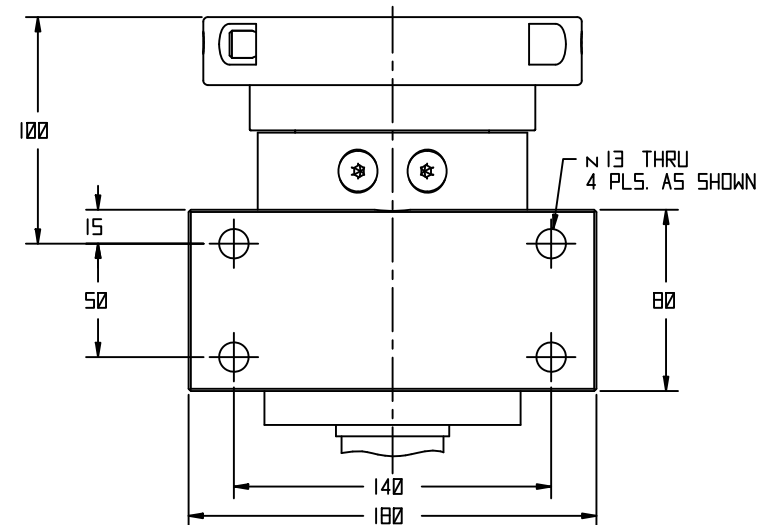


REVISIONS			
REV	DESCRIPTION	DATE	APPROVED
B	ECD 2/29/2	10/16/14	MRV



SCALE 0.300



NOTES:

- THIS DRAWING IS THE PROPERTY OF THE DOUBLE E COMPANY IT IS PROPRIETARY AND CONFIDENTIAL, ALL RIGHTS RESERVED.
- MAXIMUM LOAD PER SAFETY CHUCK = 1619 LBS (7200 N)
- MAXIMUM TRANSMISSABLE TORQUE = 664 LBF-FT (900 NM)

12	1	999-522-0196	(5H-196) EXTERNAL RETAINING RING
11	2	999-426-1200	FHSCS M8 X 10 MM
10	4	999-418-0009	M8-1.25 X 12MM LG LHSCS
9	2	999-402-1207	M8-1.25 X 40MM LG. SHCS
8	3	899-120-0001	BALL BEARING; SKF 6010-2RS1
7	1	72901-0256	SM100/SP11 LH/RH FP COMPLETE
6	1	72601-0055	INTERCHANGABLE JAW - IV40
5	1	72601-0018	UPPER JAW - V40
4	1	72301-0042	PEDESTAL MOUNT BODY
3	1	72201-0004	CAM
2	1	70302-0031	BORED COVER
1	1	154169	DRIVEN SPINDLE
ITEM	QTY.	PART No.	DESCRIPTION

QUOTE: -				DOUBLE E COMPANY, INC. <small>319 HANLEY ST. SUITE 301 WEST BRIDGEWATER, MA 02379 USA TEL: (508) 588-8899 FAX: (508) 588-2915 www.doublee.com</small>	
SUPERSEDED BY	TOLERANCES AND FEATURES EXCEPT AS NOTED	TITLE			
SUPERSEDES	X = .1 ALL FILLETS 1.5 R(MAX) Y = .3 ALL CHAMFERS 1.5 X 45° Z = .13 SURFACE FINISH: 125 RMS ANGLES = 1° ANGULAR ALIGNMENTS = ± 2° CENTERLINE FEATURES: ON CENTER .05	SM100/PI/IV40 REPLACEABLE JAW INSERTS LH/RH PUSH BUTTON			
THIS DRAWING WAS PRODUCED ON A CAD SYSTEM. DO NOT ALTER MANUALLY. DO NOT SCALE FROM THIS DRAWING.					
DRAWN BY	DMF	DATE	7/17/12	SCALE	0.600
APPROVED BY	MRV	DATE	7/17/12	SHEET	1 OF 1
NEXT ASSY.	TOP ASSY.	DRAWING NO.		REV.	
		999-806-A029		B.2	