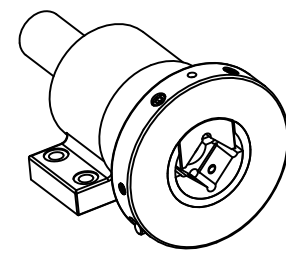
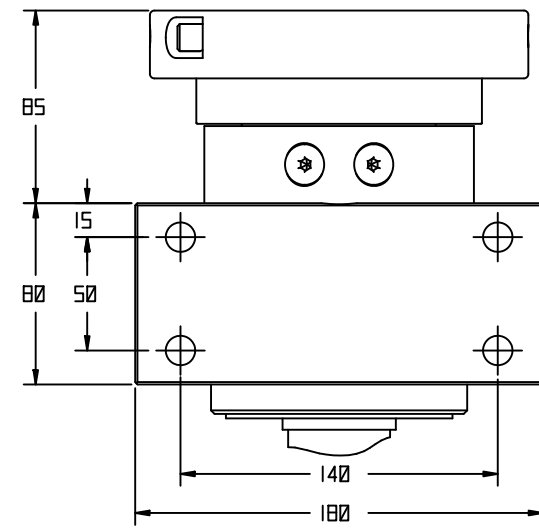
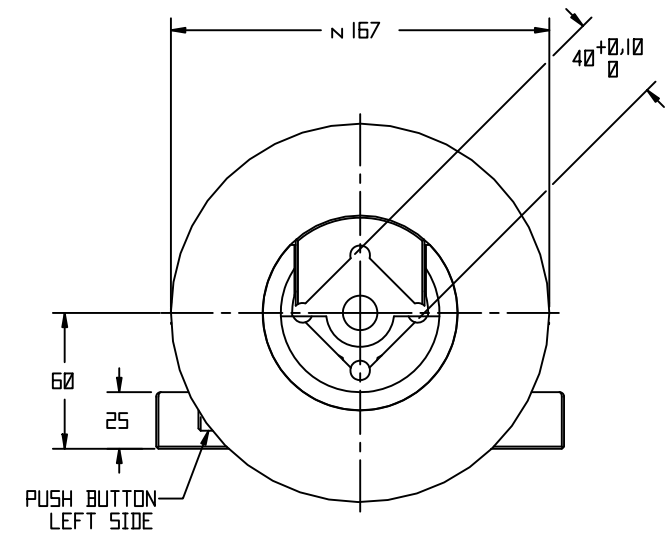
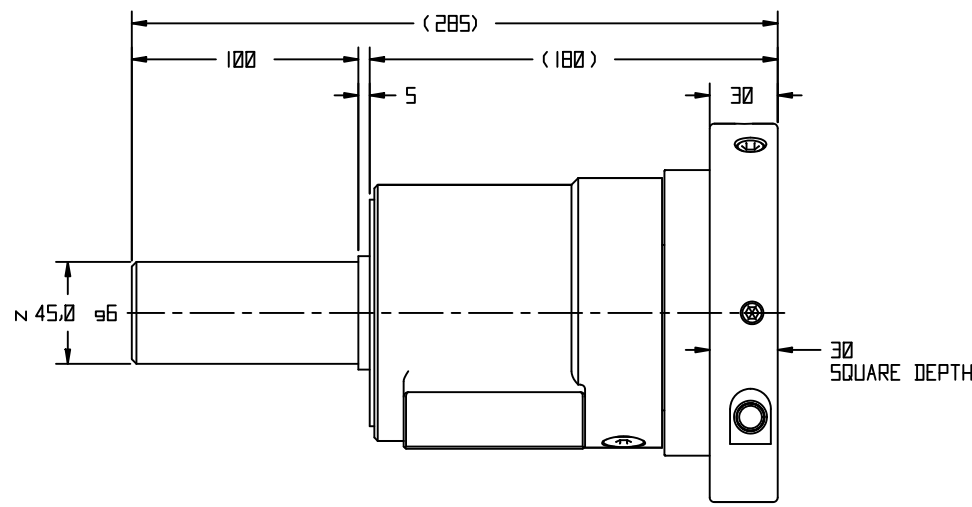


REVISIONS		DATE	APPROVED
REV	DESCRIPTION		
A	ERN #21432	7/12/11	MRV



SCALE 0.300



- NOTES:  
 1. THIS DRAWING IS THE PROPERTY OF THE DOUBLE E COMPANY IT IS PROPRIETARY AND CONFIDENTIAL, ALL RIGHTS RESERVED.  
 2. MAXIMUM LOAD PER SAFETY CHUCK = 1619 LBS (7200 N)  
 3. MAXIMUM TRANSMISSABLE TORQUE = 664 LBF-FT (900 NM)

22	1	999-522-0196	EXTERNAL RETAINING RING
21	1	999-465-0098	6MM x 12MM DOWEL PIN
20	1	999-465-0033	DOWEL PIN (8MM X 20MM)
19	2	999-426-1200	FHSCS M8 X 10 MM
18	4	999-426-1054	M4 X 12MM LG. F.H.S.C.S.
17	4	999-418-0014	M8-1.25 X 16MM LG LHSCS
16	2	999-415-1300	CM10-1.53 X 10 LG. S.S.S.
15	2	999-402-1207	M8-1.25 X 40MM LG. SHCS
14	3	899-120-0001	BALL BEARING; SKF 6010-2RS1
13	1	72701-0002	LH PUSH BUTTON
12	1	72601-0055	INTERCHANGABLE JAW - IV40
11	1	72601-0018	UPPER JAW - V40
10	1	72501-0001	PLASTIC SLEEVE
9	1	72201-0004	CAM
8	1	70302-0031	BORED COVER
7	1	63101-0002	8MM STAINLESS STEEL BALL
6	1	62302-0006	COMPRESSION SPRING
5	1	62302-0005	COMPRESSION SPRING
4	1	62302-0003	COMPRESSION SPRING
3	1	700042	LH FACEPLATE
2	1	151541	DRIVEN SPINDLE
1	1	151089	PEDESTAL MOUNT BODY
ITEM	QTY.	PART No.	DESCRIPTION

QUOTE: 11-3103141-A		<b>DOUBLE E COMPANY, INC.</b> 319 HANLEY ST. SUITE 301 WEST BRIDGEWATER, MA 02379 USA TEL: (508) 588-8899 FAX: (508) 588-2915 www.doubleeusa.com	
SUPERSEDED BY	TOLERANCES AND FEATURES EXCEPT AS NOTED	TITLE	
SUPERSEDES	X = .1 ALL FILLETS 1.5 R(MAX) Y = .3 ALL CHAMFERS 1.5 X 45 ° Z = .13 SURFACE FINISH 125 RMS ANGLES = 1 ° ANGULAR ALIGNMENTS = ± 2 ° CENTERLINE FEATURES: ON CENTER .05	5M100/PI/IV40 REPLACEABLE JAW INSERTS LH PUSH BUTTON	
	THIS DRAWING WAS PRODUCED ON A CAD SYSTEM. DO NOT ALTER MANUALLY. DO NOT SCALE FROM THIS DRAWING.	DRAWING NO.	
	DRAWN BY: MMV DATE: 6/6/11 SCALE: 0.600	REV.	
	APPROVED BY: TOP ASSY. DATE: 6/6/11 SHEET: 1 OF 1	999-806-0970	
NEXT ASSY.	TOP ASSY.	A.3	