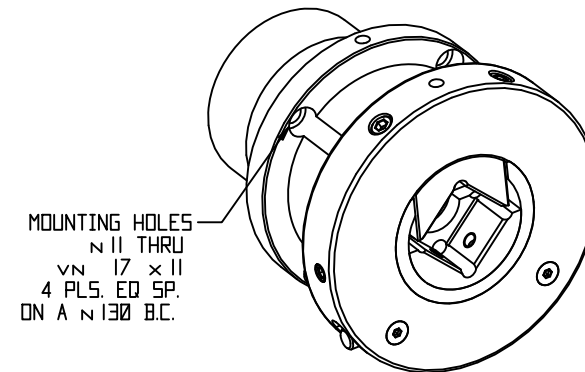
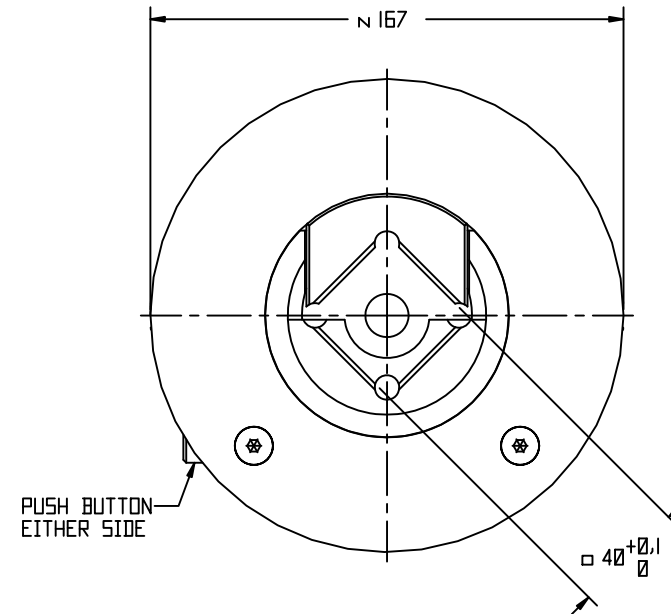
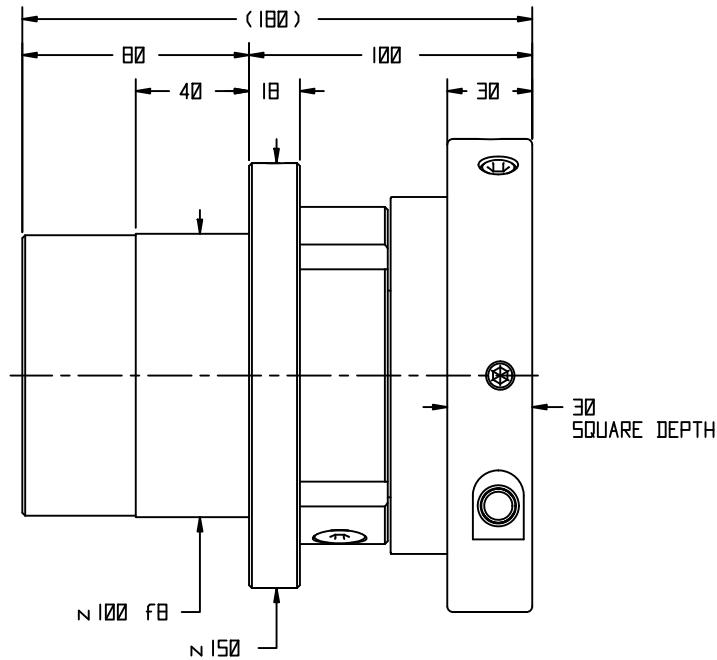



REVISIONS			
REV	DESCRIPTION	DATE	APPROVED
C	ECD 2/27	9/30/14	MRV



NOTES:
 1. THIS DRAWING IS THE PROPERTY OF THE DOUBLE E COMPANY
 IT IS PROPRIETARY AND CONFIDENTIAL. ALL RIGHTS RESERVED.
 2. MAXIMUM LOAD PER SAFETY CHUCK = 1619 LBS (7200 N)

12	1	999-522-0196	(5H-196) EXTERNAL RETAINING RING
11	2	999-426-1200	FHSCS M8 X 10 MM
10	4	999-418-0009	M8-1.25 X 12MM LG LHSCS
9	2	999-402-1207	M8-1.25 X 40MM LG. SHCS
8	3	899-120-0001	BALL BEARING; SKF 6010-2RS1
7	1	72901-0256	SM100/SP11 LH/RH FP COMPLETE
6	1	72601-0055	INTERCHANGABLE JAW - IV40
5	1	72601-0018	UPPER JAW - V40
4	1	72401-0032	IDLER SPINDLE
3	1	72301-0044	FLANGE MOUNT BODY
2	1	72201-0004	CAM
1	1	70302-0028	CLOSED COVER
ITEM	QTY.	PART No.	DESCRIPTION



QUOTE: 12-48091				 DOUBLE E COMPANY, INC. <small>319 HANLEY ST. SUITE 301 WEST BRIDGEWATER, MA 02379 USA TEL.(508) 588-8899 FAX.(508) 588-2915 www.doublee.com</small>	
SUPERSEDED BY	TOLERANCES AND FEATURES EXCEPT AS NOTED	TITLE			
SUPERSEDES	X = .1 ALL FILLETS 1.5 R(MAX) Y = .3 ALL CHAMFERS 1.5 X 45° Z = .13 SURFACE FINISH: 125 RMS ANGLES = 1° ANGULAR ALIGNMENTS = .2° CENTERLINE FEATURES: ON CENTER .05	SM100/F0/IV40 REPLACEABLE JAW INSERTS LH/RH PUSH BUTTON			
	THIS DRAWING WAS PRODUCED ON A CAD SYSTEM. DO NOT ALTER MANUALLY. DO NOT SCALE FROM THIS DRAWING.	CUST: DEM:			
DRAWN BY	DATE	SCALE	DRAWING NO.		
DMF	4/2/12	0.75X	999-806-0382		
APPROVED BY	DATE	SHEET	REV.		
MRV	4/2/12	1 OF 1	C.1		
NEXT ASSY.	TOP ASSY.				