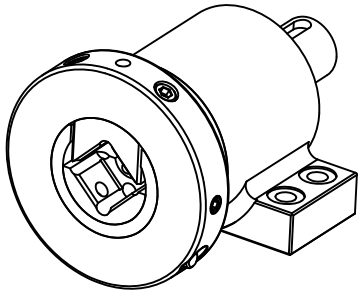
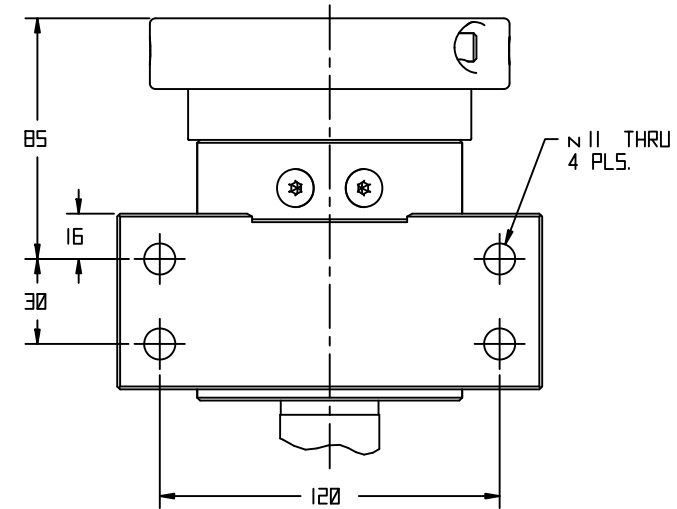
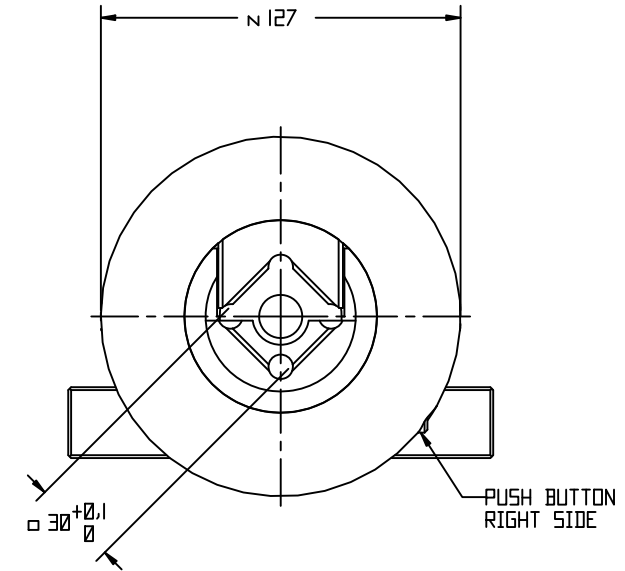
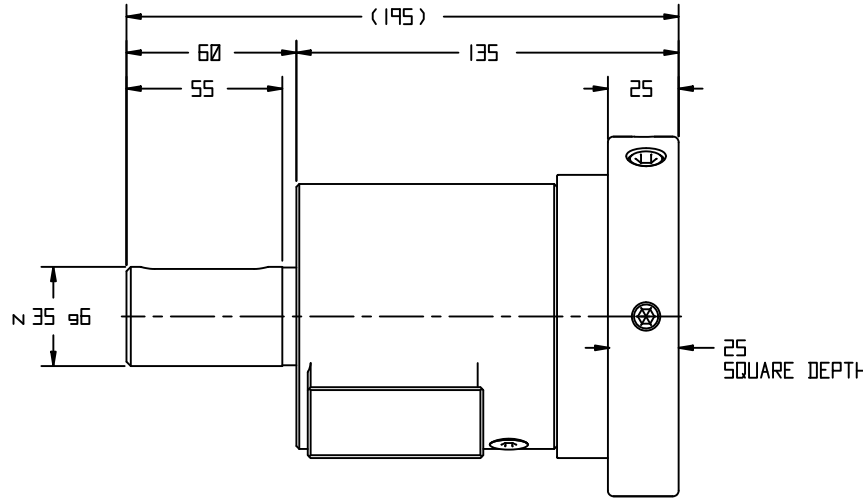
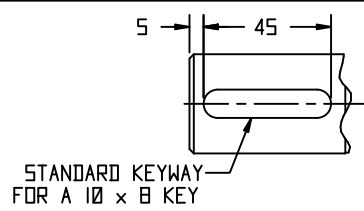


| REVISIONS | | | |
|-----------|-------------|--------|----------|
| REV | DESCRIPTION | DATE | APPROVED |
| A | ERN 22804 | 6/1/12 | MRV |



- NOTES:
- THIS DRAWING IS THE PROPERTY OF THE DOUBLE E COMPANY. IT IS PROPRIETARY AND CONFIDENTIAL, ALL RIGHTS RESERVED.
 - MAXIMUM LOAD PER SAFETY CHUCK = 787 LBS (3500 N)
 - MAXIMUM TRANSMISSABLE TORQUE = 221 LB-FT (300 NM)

| 22 | 1 | 999-522-0137 | EXTERNAL RETAINING RING |
|------|------|--------------|------------------------------|
| 21 | 1 | 999-465-0099 | 5MM X 10MM DOWEL PIN |
| 20 | 1 | 999-465-0033 | DOWEL PIN (8MM X 20MM) |
| 19 | 2 | 999-464-0085 | 8MM X 12MM LG. SLOTTED PIN |
| 18 | 2 | 999-426-1299 | FHSC5 M8 X 14 MM |
| 17 | 2 | 999-426-1151 | M6-1.0 X 10MM LG. F.H.S.C.S. |
| 16 | 4 | 999-426-1053 | M4 X 10MM LG. F.H.S.C.S. |
| 15 | 2 | 999-415-1300 | CM10-1.5J X 10 LG. S.S.S. |
| 14 | 2 | 999-402-1205 | M8-1.25 X 30 LG. SHCS |
| 13 | 2 | 899-120-0143 | BALL BEARING; SKF 6007-2Z |
| 12 | 1 | 72901-0064 | RH FACEPLATE |
| 11 | 1 | 72701-0004 | RH PUSH BUTTON |
| 10 | 1 | 72601-0041 | UPPER INSERT - IV30 |
| 9 | 1 | 72601-0039 | INTERCHANGABLE INSERT - IV30 |
| 8 | 1 | 72501-0008 | PLASTIC SLEEVE |
| 7 | 1 | 72301-0046 | PEDESTAL MOUNT BODY |
| 6 | 1 | 72201-0009 | CAM |
| 5 | 1 | 70302-0037 | BORED COVER |
| 4 | 1 | 63101-0002 | 8MM STAINLESS STEEL BALL |
| 3 | 2 | 62302-0014 | COMPRESSION SPRING |
| 2 | 1 | 62302-0007 | COMPRESSION SPRING |
| 1 | 1 | 154251 | DRIVE SPINDLE |
| ITEM | QTY. | PART No. | DESCRIPTION |

QUOTE: 12-47804

DOUBLE E COMPANY, INC.
 309 HANLEY ST. SUITE 301 WEST BRIDGEWATER, MA 02379 USA
 TEL: (508) 588-8871 FAX: (508) 588-2915 www.doublee.com

| SUPERSEDED BY | TOLERANCES AND FEATURES EXCEPT AS NOTED | TITLE |
|---------------|---|--|
| SUPERSEDES | X = .1 ALL FILLETS 1.5 R(MAX) Y = .3 ALL CHAMFERS 1.5 X 45 ° Z = .13 SURFACE FINISH: 125 RMS ANGLES = 1 ° ANGULAR ALIGNMENTS = .2 ° CENTERLINE FEATURES: ON CENTER .05 | SL100/PI/IV30 REPLACEABLE JAW INSERTS RH PUSH BUTTON |
| | THIS DRAWING WAS PRODUCED ON A CAD SYSTEM. DO NOT ALTER MANUALLY. DO NOT SCALE FROM THIS DRAWING. | CUST: - |
| | DRAWN BY: SMM DATE: 6/1/12 SCALE: 0.75X APPROVED BY: MRV DATE: 6/1/12 SHEET: 1 OF 1 | DEM: |
| NEXT ASSY. | TOP ASSY. | DRAWING NO. 999-806-0270 |
| | | REV. A.2 |