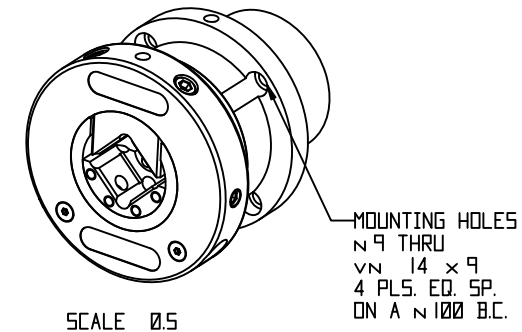
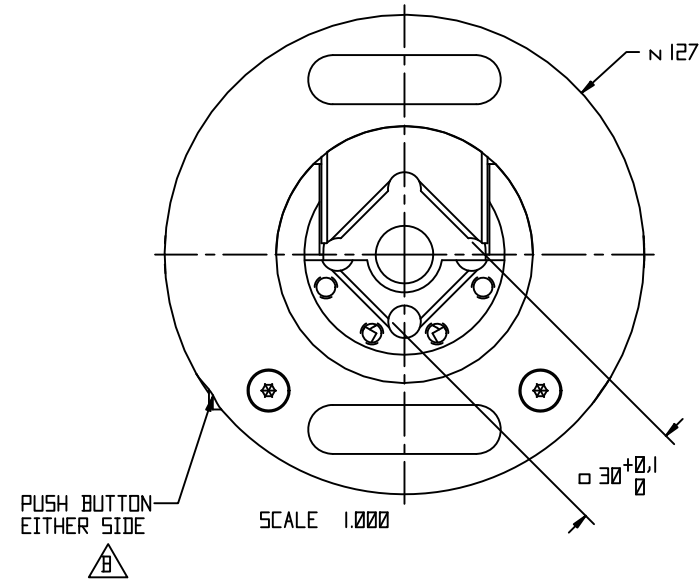
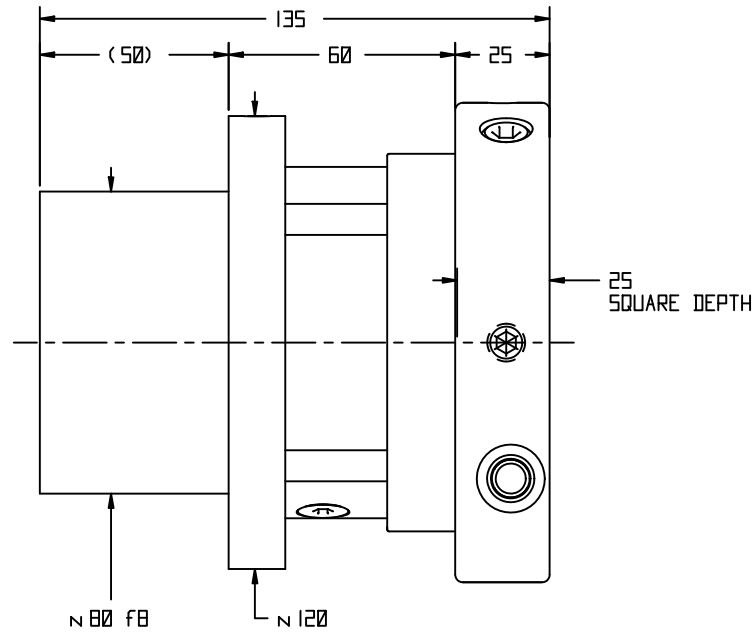


REVISIONS			
REV	DESCRIPTION	DATE	APPROVED
B	ECD 2/8/08	7/10/15	MRV

NOTES:

1. THIS DRAWING IS THE PROPERTY OF THE DOUBLE E COMPANY. IT IS PROPRIETARY AND CONFIDENTIAL, ALL RIGHTS RESERVED.
2. MAXIMUM LOAD PER SAFETY CHUCK = 787 LBS (3500 N)
3. MAXIMUM TRANSMISSABLE TORQUE = 221 LB-FT (300 NM)



13	1	999-522-0137	(SH-137) EXTERNAL RETAINING RING
12	2	999-464-0085	8MM X 12MM LG. SLOTTED PIN
11	2	999-426-1299	FHSC5 M8 X 14 MM
10	2	999-426-1151	M6-1.0 X 10MM LG. F.H.S.C.S.
9	2	999-402-1205	M8-1.25 X 30 LG. SHCS
8	2	899-120-0143	BALL BEARING; SKF 6007-2Z
7	1	72901-0282	SL100 LH SX FP COMPLETE
6	1	72601-0041	UPPER INSERT - IV30
5	1	72601-0039	INTERCHANGABLE INSERT - IV30
4	1	72401-0028	IDLER SPINDLE
3	1	72301-0047	FLANGE MOUNT BODY
2	1	72201-0009	CAM
1	1	70302-0037	BORED COVER
ITEM	QTY.	PART No.	DESCRIPTION

QUOTE:				DOUBLE E COMPANY, INC.	
				319 HANLEY ST. SUITE 301 WEST BRIDGEWATER, MA 02379 USA TEL: (508) 588-8899 FAX: (508) 588-2915 www.doublee.com	
SUPERSEDED BY	TOLERANCES AND FEATURES EXCEPT AS NOTED	TITLE			
	X = .1 ALL FILLETS 1.5 R(MAX)	SL100/F0/IV30			
	X = .3 ALL CHAMFERS 1.5 X 45 °	REPLACEABLE JAW INSERTS			
SUPERSEDES	XX = .13 SURFACE FINISH: 125 RMS	LH/RH PUSH BUTTON			
	ANGULAR ALIGNMENTS = .2°	CUST: -			
	CENTERLINE FEATURES: ON CENTER .05	DEM:			
	THIS DRAWING WAS PRODUCED ON A CAD SYSTEM. DO NOT ALTER MANUALLY. DO NOT SCALE FROM THIS DRAWING.	DRAWING NO.			
	DRAWN BY SMM DATE 8/25/11 SCALE 0.800	REV.			
	APPROVED BY MRV DATE 8/25/11 SHEET 1 OF 1	999-806-0226			
NEXT ASSY.	TOP ASSY.	B.2			